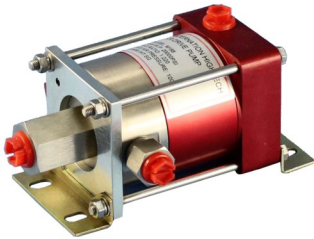


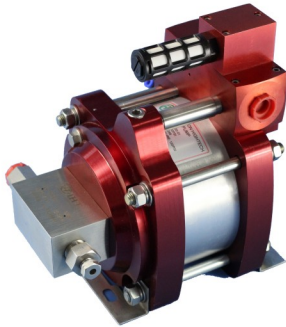
Your Specialists in High-Pressure Pump



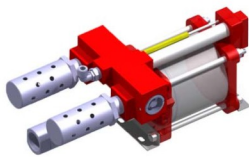
M-Series/M系列



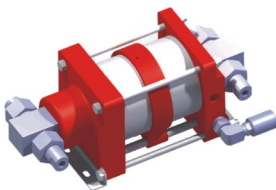
ASL-Series/ASL系列



GSF-Series/GSF系列



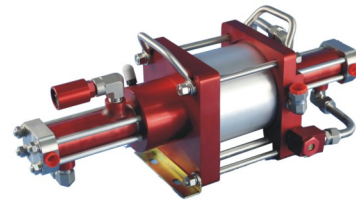
1.5HP、2HP和3HP Series Liquid Pump
1.5HP、2HP和3HP 系列液泵



IAG-Series/IAG系列



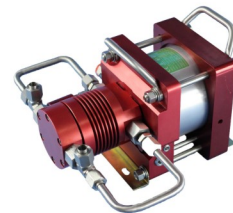
IAGD-Series/IAGD系列



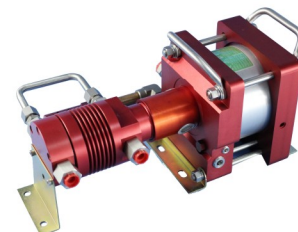
IAGT-Series/IAGT系列

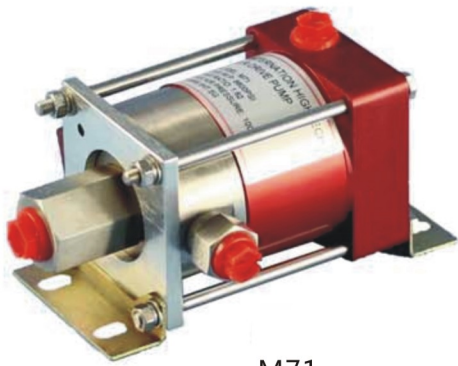


Air AmpLigier/ 空气放大器



Refrigerant Pump Series
冷媒加注泵系列





M71

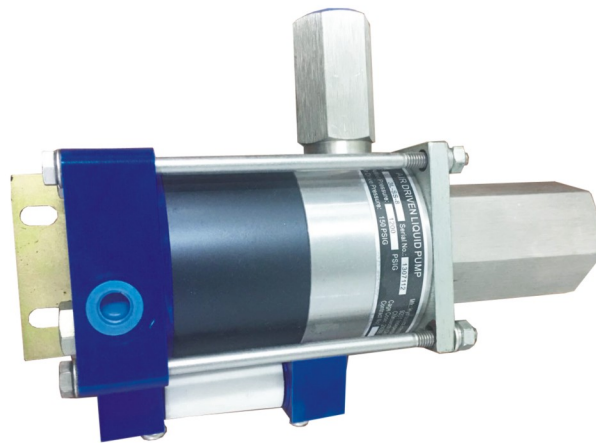


M188

Maximum Air Supply 125 Psi Single Air Head

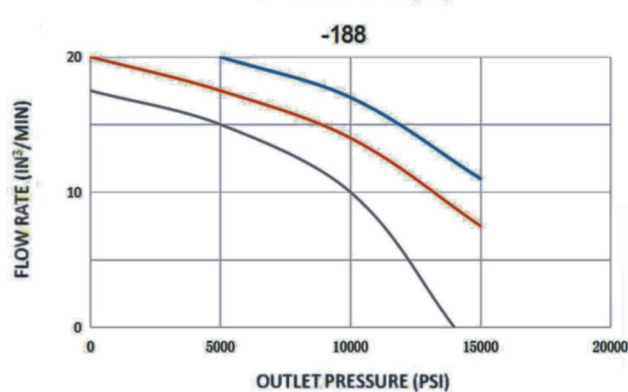
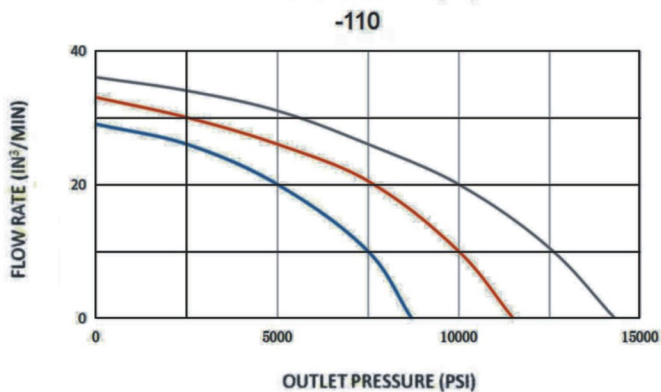
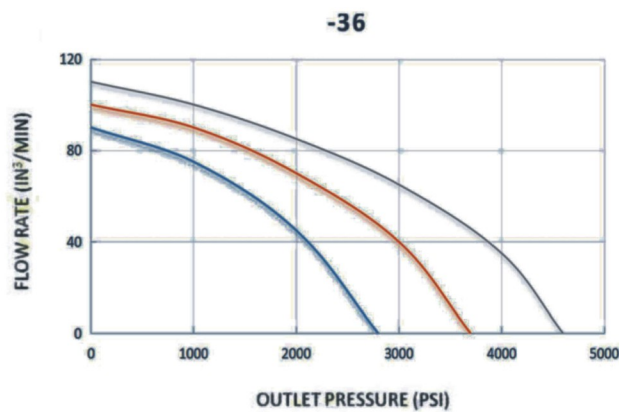
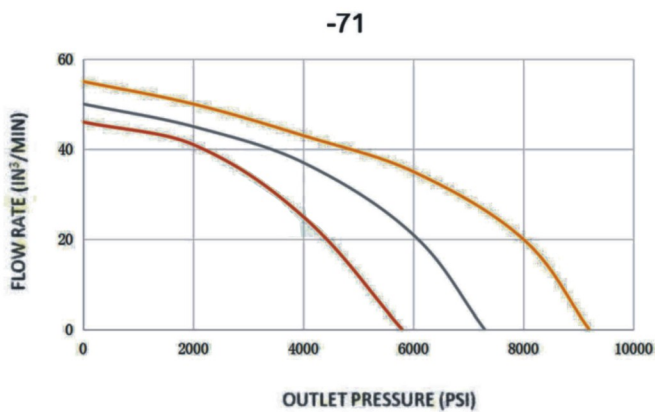
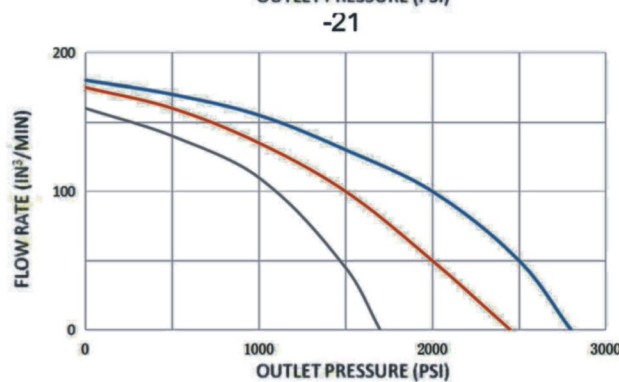
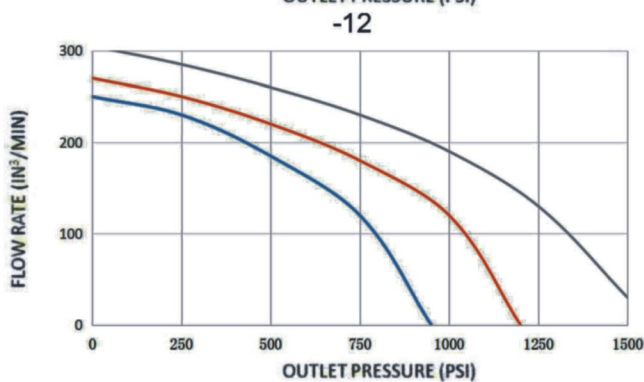
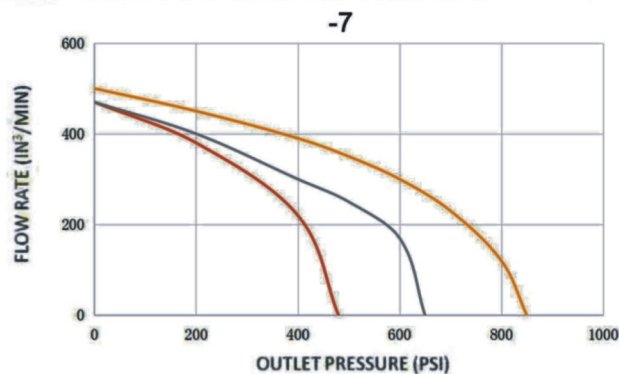
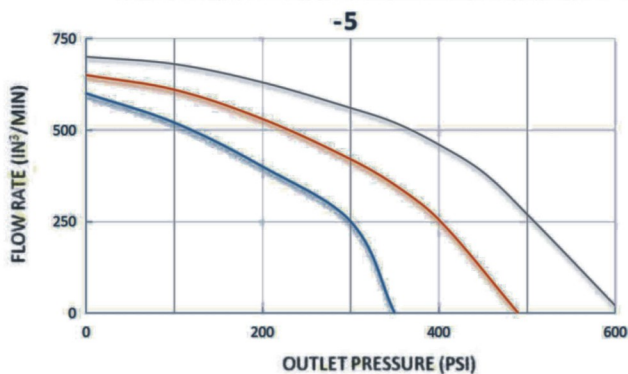
| Model | Ratio Dash No | Actual Area Ratio | Maximum Rated Output Pressure | | | | Displacement/Cycle | | Connection Ports | | |
|-------|---------------|-------------------|-------------------------------|-------|--------------|-------|--------------------|------|------------------|-------|--------|
| | | | Continuous | | Intermittent | | CU IN | ML | Air Drive | Inlet | Outlet |
| | | | PSI | BAR | PSI | BAR | | | | | |
| M, MS | -5 | 5.6 | 625 | 43 | 625 | 43 | 0.83 | 13.6 | 1/4" | 3/4" | 1/2" |
| | -7 | 7.8 | 900 | 62 | 900 | 62 | 0.60 | 9.8 | 1/4" | 3/4" | 1/2" |
| | -12 | 14 | 1,500 | 103 | 1,500 | 103 | 0.36 | 5.9 | 1/4" | 3/4" | 1/2" |
| M, MS | -21 | 25 | 2,600 | 179 | 2,600 | 179 | 0.20 | 3.3 | 1/4" | 3/8" | 1/4" |
| | -36 | 41 | 4,500 | 310 | 4,500 | 310 | 0.12 | 2.0 | 1/4" | 3/8" | 1/4" |
| | -71 | 82 | 8,800 | 607 | 8,800 | 607 | 0.060 | 1.0 | 1/4" | 3/8" | 1/4" |
| | -110 | 126 | 13,500 | 931 | 13,500 | 931 | 0.039 | 0.6 | 1/4" | 3/8" | 1/4" |
| | -188 | 217 | 15,000 | 1,034 | 15,000 | 1,034 | 0.023 | 0.4 | 1/4" | 3/8" | 1/4" |

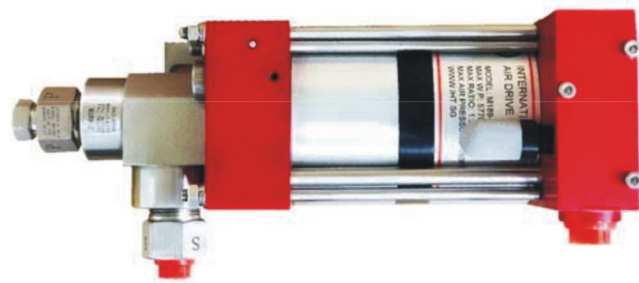
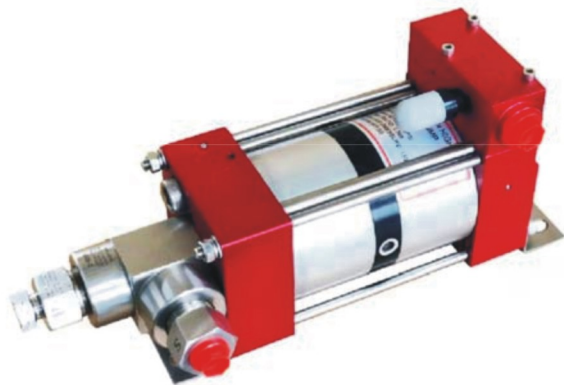
1. Maximum intermittent pressure for stainless steel in MS series pumps is 10,000psi(690bar)
2. All Port sizes are female NPT unless otherwise noted.



| Model | Ratio Dash No | Maximum Rated Output Pressure | | Displacement/Cycle | | Connection Ports | | | Maximum Air Supply |
|---------|---------------|-------------------------------|------|--------------------|-----------------|------------------|---------|---------|--------------------|
| | | psi | bar | i n ³ | cm ³ | Air Drive | Inlet | Outlet | Bar |
| 3L-SS-8 | 1:8 | 1,200 | 82,7 | 0.59 | 9.6 | 1/4FNPT | 3/4FNPT | 1/2FNPT | 9.9 |

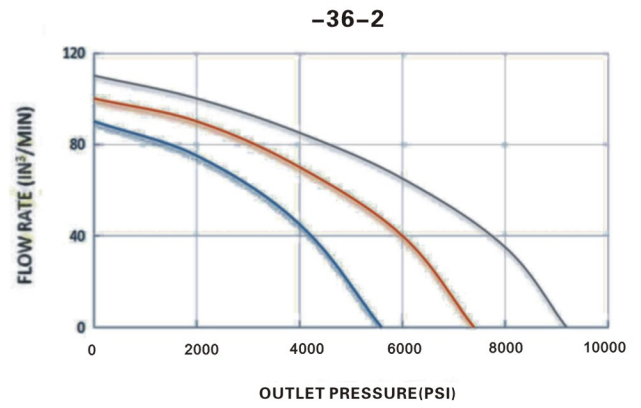
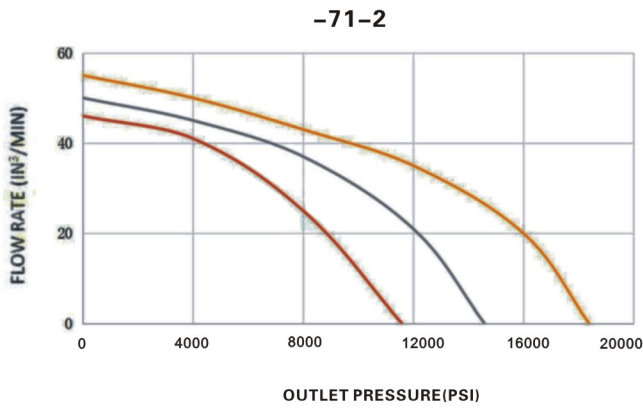
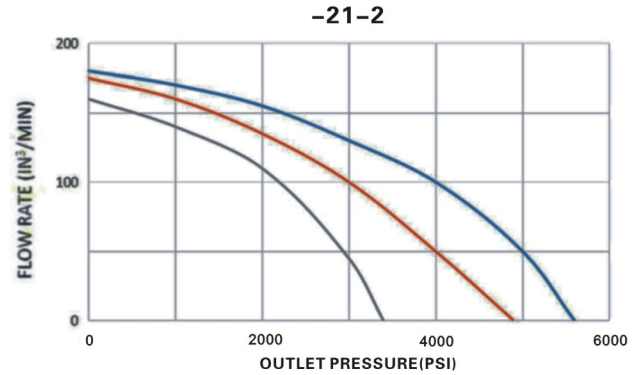
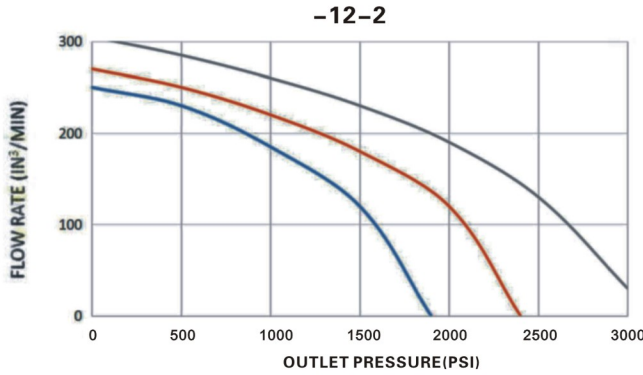
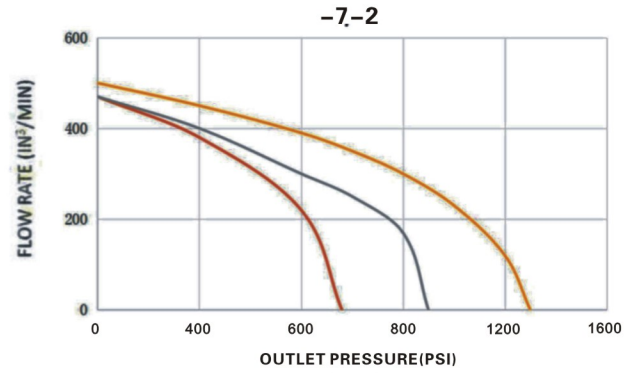
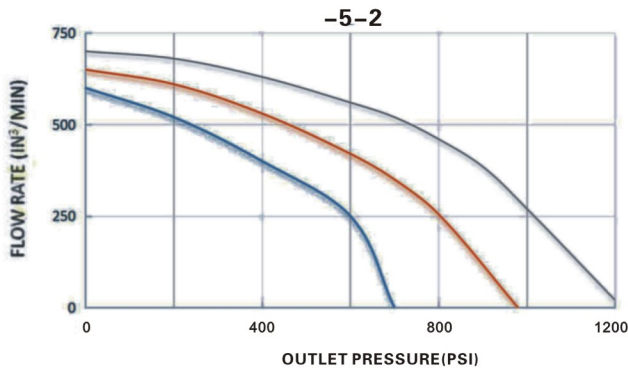
曲线参数图



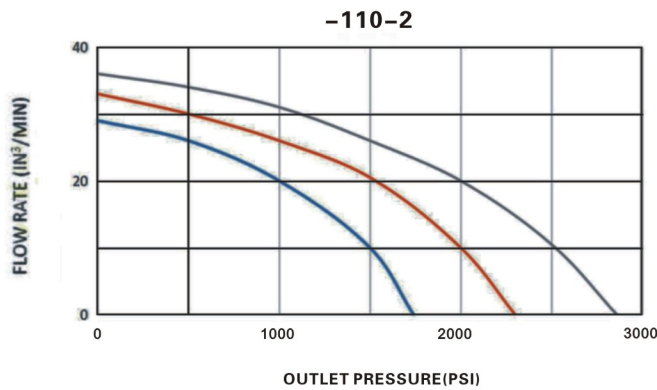


| Maximum Air Supply 125 Psi Single Air Head | | | | | | | | | | | |
|--|---------------|-------------------|-------------------------------|-------|--------------|-------|--------------------|------|------------------|-------|--------|
| Model | Ratio Dash No | Actual Area Ratio | Maximum Rated Output Pressure | | | | Displacement/Cycle | | Connection Ports | | |
| | | | Continuous | | Intermittent | | CU IN | ML | Air Drive | Inlet | Outlet |
| | | | PSI | BAR | PSI | BAR | | | | | |
| MS 5-2 | -10 | 11.2 | 1,250 | 86 | 1,250 | 86 | 0.83 | 13.6 | 1/4" | 3/4" | 1/2" |
| MS 7-2 | -14 | 15.6 | 1,800 | 124 | 1,800 | 124 | 0.60 | 9.8 | 1/4" | 3/4" | 1/2" |
| MS 12-2 | -24 | 28 | 3,000 | 206 | 3,000 | 206 | 0.36 | 5.9 | 1/4" | 3/4" | 1/2" |
| MS 21-2 | -42 | 50 | 5,200 | 358 | 5,200 | 358 | 0.20 | 3.3 | 1/4" | 3/8" | 1/4" |
| MS 36-2 | -72 | 82 | 9,000 | 620 | 9,000 | 620 | 0.12 | 2.0 | 1/4" | 3/8" | 1/4" |
| MS 71-2 | -142 | 164 | 17,600 | 1,214 | 17,600 | 1,214 | 0.060 | 1.0 | 1/4" | 3/8" | 1/4" |
| MS 110-2 | -220 | 252 | 27,000 | 1,862 | 27,000 | 1,862 | 0.039 | 0.6 | 1/4" | 3/8" | 1/4" |
| MS 189-2 | -376 | 434 | 30,000 | 2,068 | 58,000 | 4,000 | 0.023 | 0.4 | 1/4" | 3/8" | 1/4" |

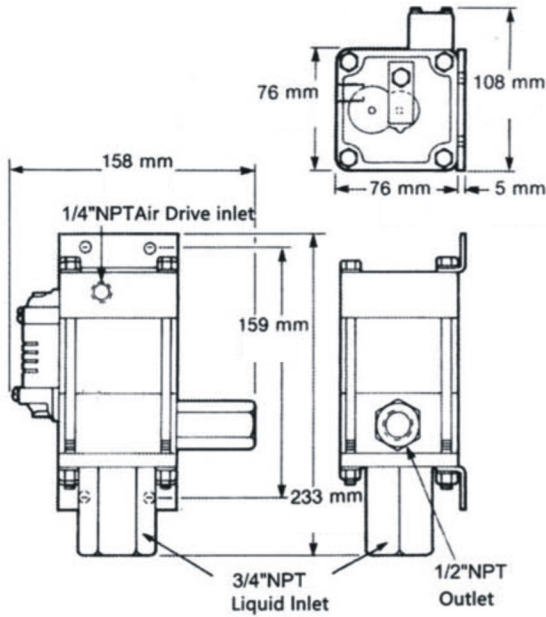
曲线参数图



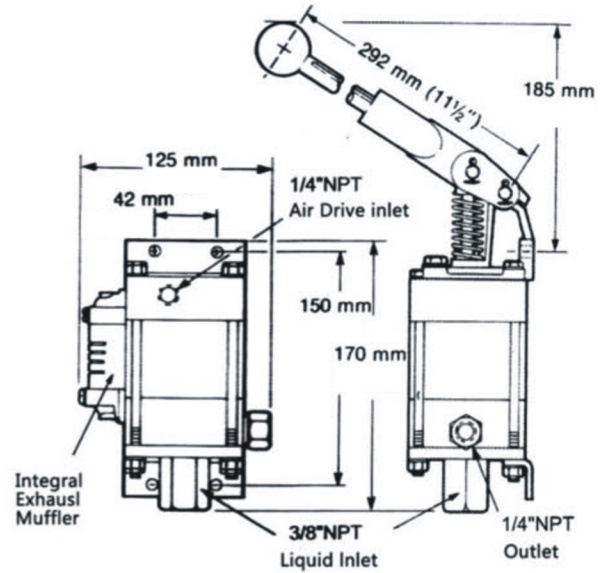
-110-2



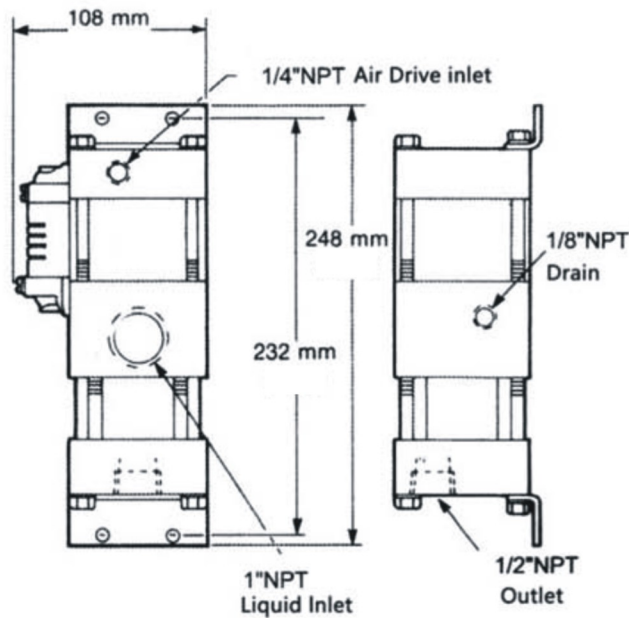
尺寸参数图



M-7,M-12

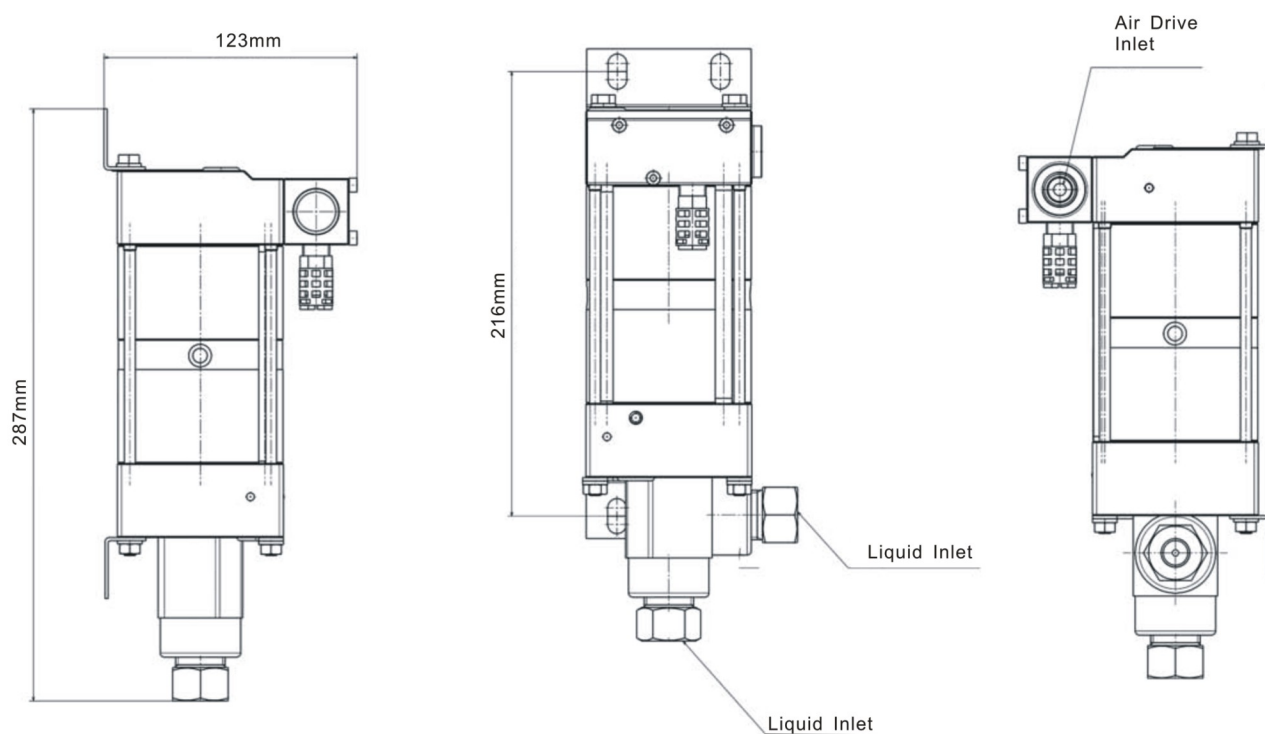


MS-21,MS-36,MS-71,
MS-110,MS-188

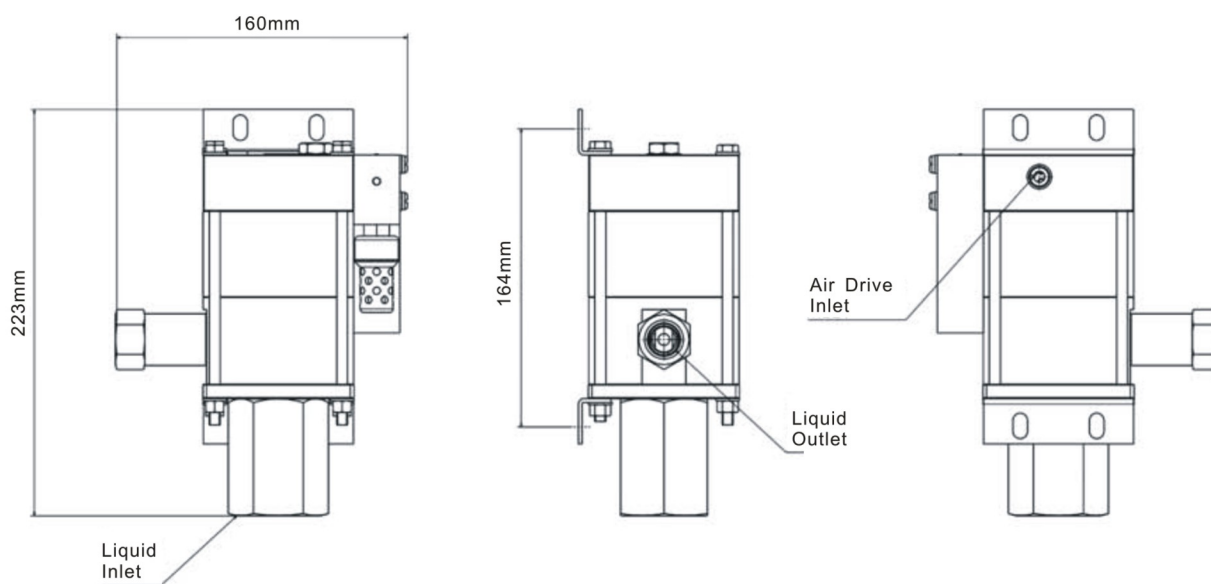


M-5

M189-2 尺寸参数图



3L-SS-8 尺寸参数图





| Model | Ratio Dash No | Maximum Rated Output Pressure | | Displacement/Cycle | | Connection Ports | | | Maximum Air Supply Bar |
|------------|---------------|-------------------------------|-------|--------------------|-----------------|------------------|----------|----------|------------------------|
| | | Psi | bar | l ^m | cm ³ | Air Drive | Inlet | Outlet | |
| ASL 35 | 1:39 | 5,600 | 386 | 1.50 | 24.6 | 1/2"FNPT | 1/2"FNPT | 1/2"FNPT | 9.9 |
| ASL 60 | 1:70 | 18,000 | 690 | 0.84 | 13.7 | 1/2"FNPT | 1/2"FNPT | 1/2"FNPT | 9.9 |
| ASL 100 | 1:113 | 15,000 | 1,034 | 0.52 | 8.5 | 1/2"FNPT | 1/2"FNPT | 1/2"FNPT | 9.9 |
| ASL 225 | 1:225 | 32,321 | 2,250 | 0.24 | 3.9 | 1/2"FNPT | 1/2"FNPT | 1/2"FNPT | 9.9 |
| ASL 300 | 1:300 | 43,510 | 3,000 | 0.18 | 2.9 | 1/2"FNPT | 1/2"FNPT | 1/2"FNPT | 9.9 |
| ASL 400-01 | 1:398 | 57,700 | 3,978 | 0.14 | 2.3 | 1/2"FNPT | 1/2"FNPT | 1/2"FNPT | 9.9 |
| ASL 400-02 | 1:796 | 60,000 | 4,137 | 0.14 | 2.3 | 1/2"FNPT | 1/2"FNPT | 1/2"FNPT | 9.9 |

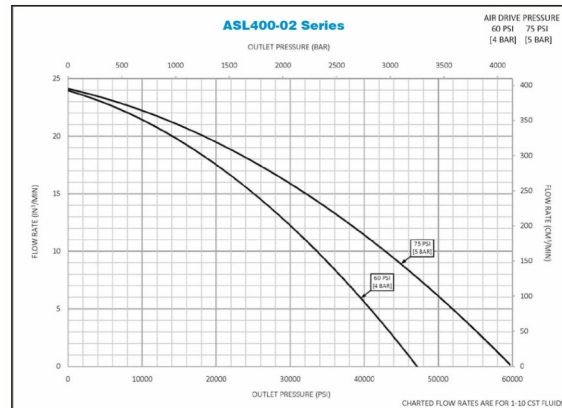
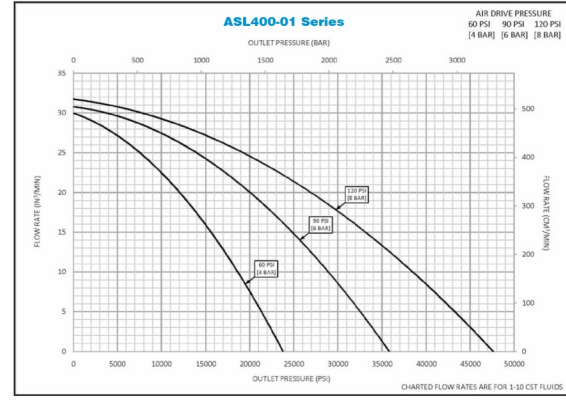
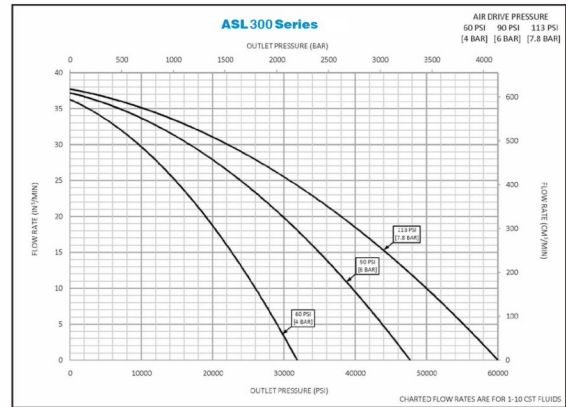
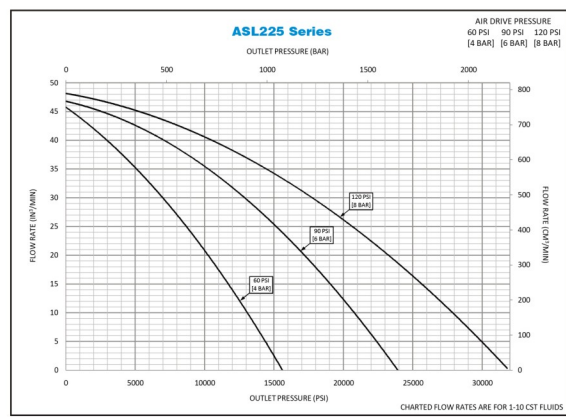
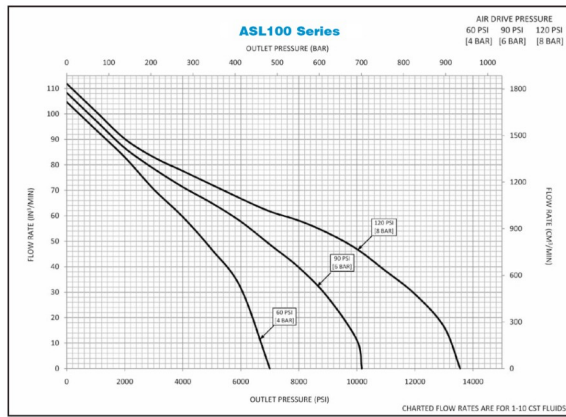
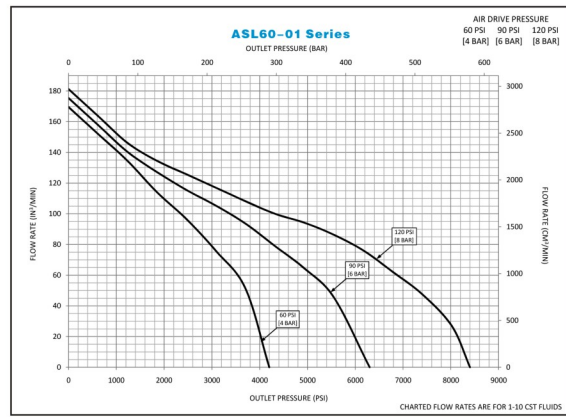
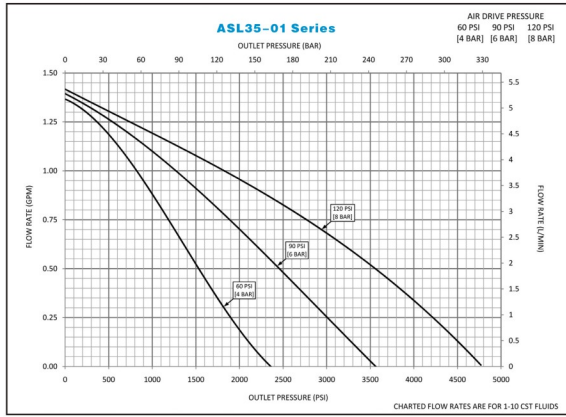
1. Maximum air drive pressure is limited by maximum output pressure.

2. Alternative materials for wetted parts and seals are available, please contact IHT for additional information.

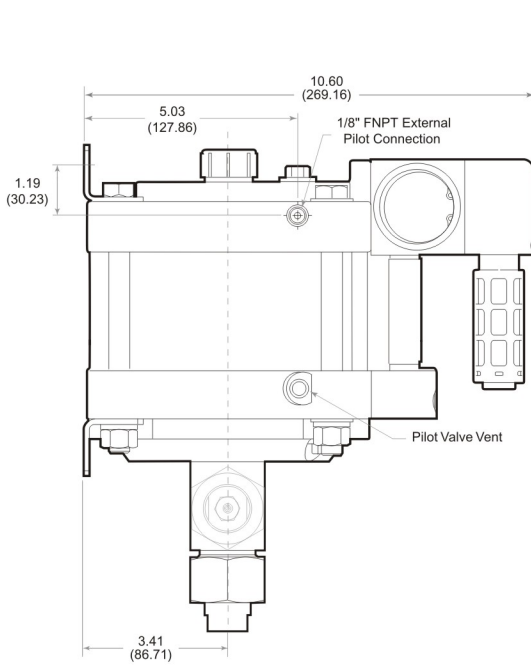
3. Stainless steel plunger utilizing a proprietary multi-layer carbon based coating with diamond like carbon exterior layer-3 times the hardness of stellite with a coefficient of friction equal to/less than PTFE

4. Service: Oil, Water or Water/Oil mixture and other fluids depending on material compatibility

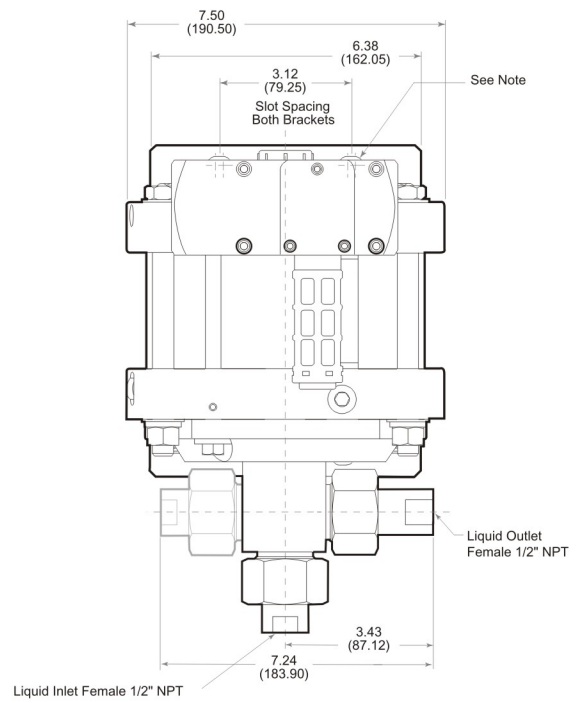
曲线参数图



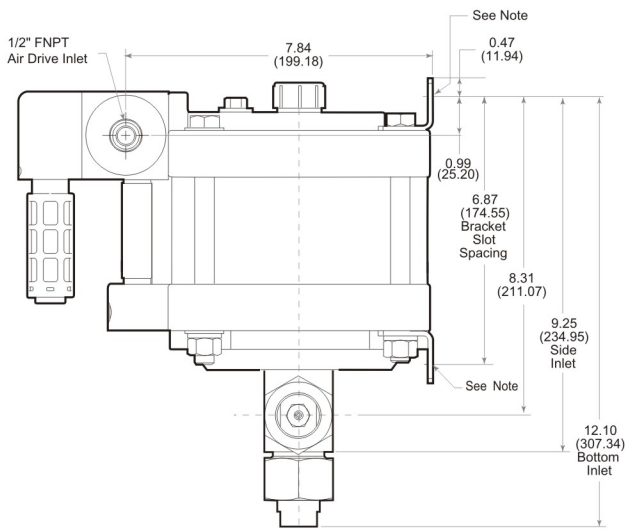
尺寸参数图



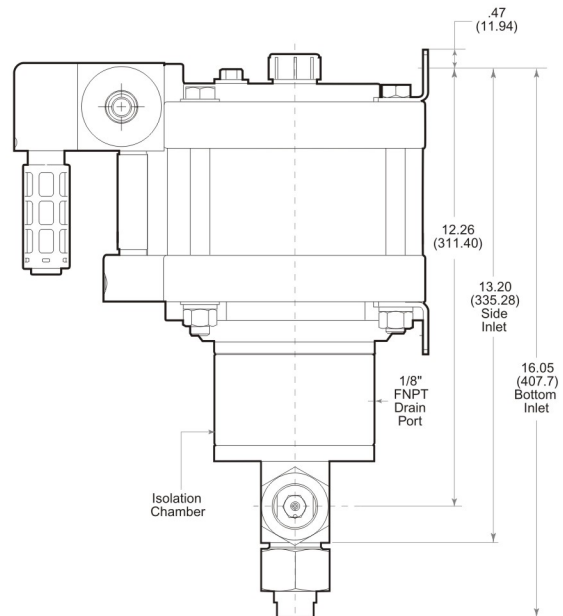
Left View



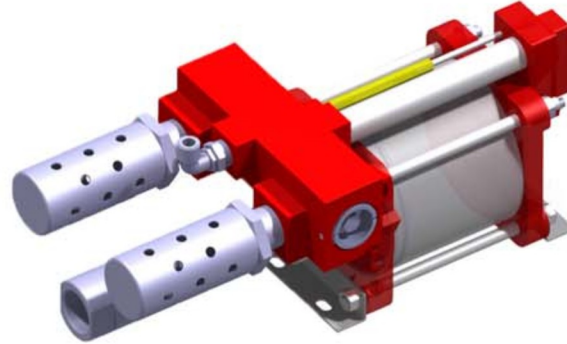
Front View



Right View

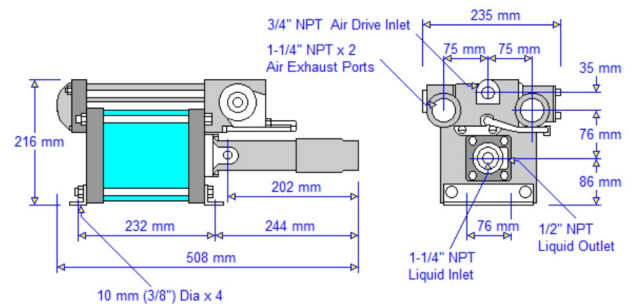
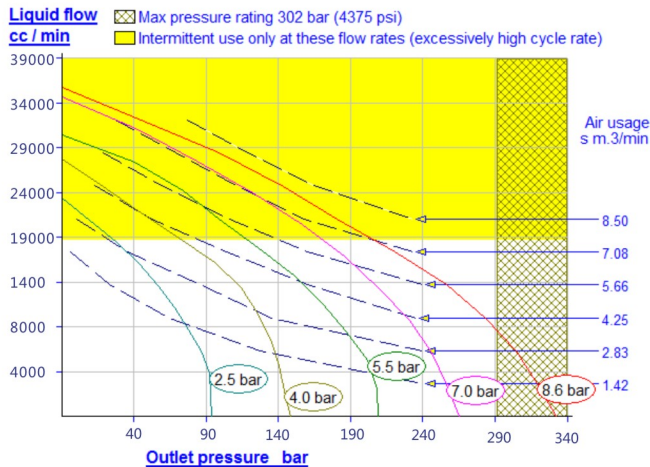


Right View with Optional Isolation Chamber

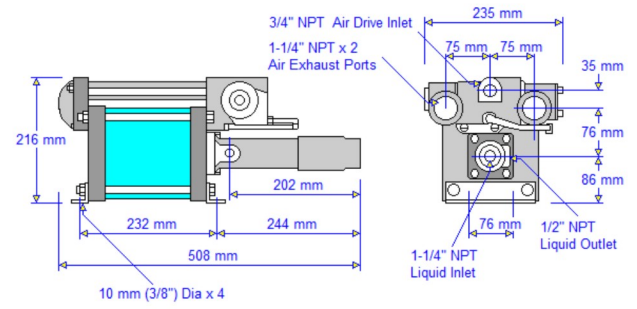
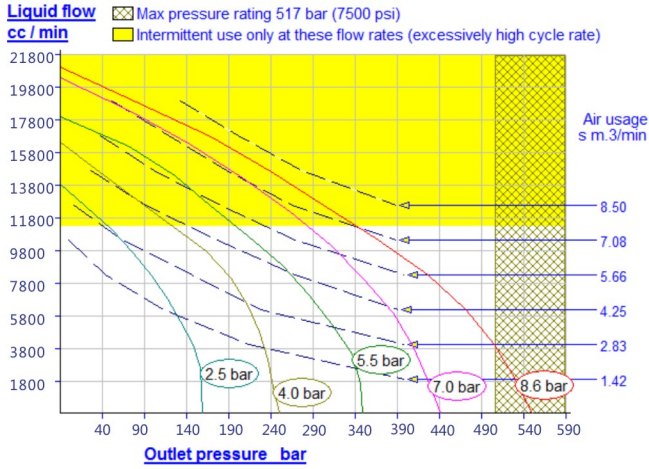


| Maximum Air Supply 125PSI (8.5bar) , Single Air Head-6HP(4.5kw) | | | | | | | | | | | |
|---|----------------|-------------------|-------------------------------|-----|--------------|-----|--------------------|-----|------------------|--------|--------|
| Model | Ratuo Dash NO. | Actual Area Ratio | Maximum Rated Output Pressure | | | | Displacement/Cycle | | Connection ports | | |
| | | | Continuous | | Intermittent | | CU.IN | M.L | Air Inlet | Inlet | Outlet |
| | | | PSI | BAR | PSI | BAR | | | | | |
| GSF | 35 | 40.3 | 4375 | 302 | 4375 | 302 | 6 | 98 | 3/4" | 1-1/4" | 1/2" |
| | 60 | 69 | 7500 | 517 | 7500 | 517 | 3.5 | 57 | 3/4" | 1-1/4" | 1/2" |
| | 100 | 115 | 8000 | 552 | 10000 | 690 | 2.1 | 34 | 3/4" | 1-1/4" | 1/2" |

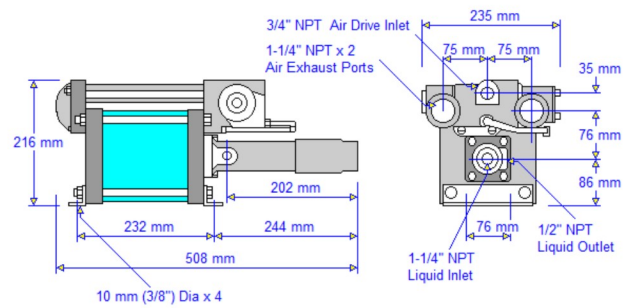
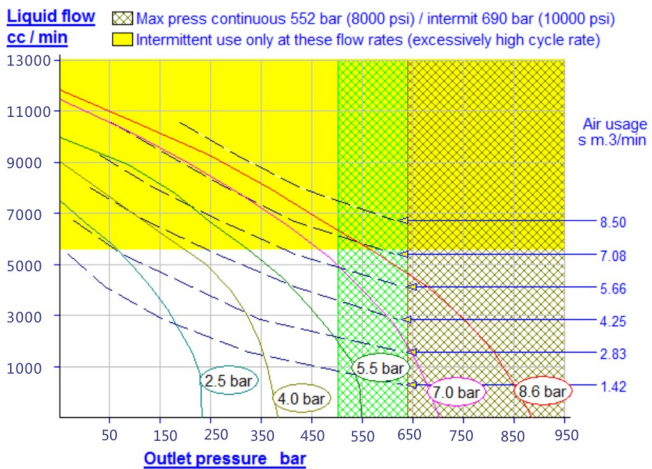
GSF-35 曲线及尺寸参数图

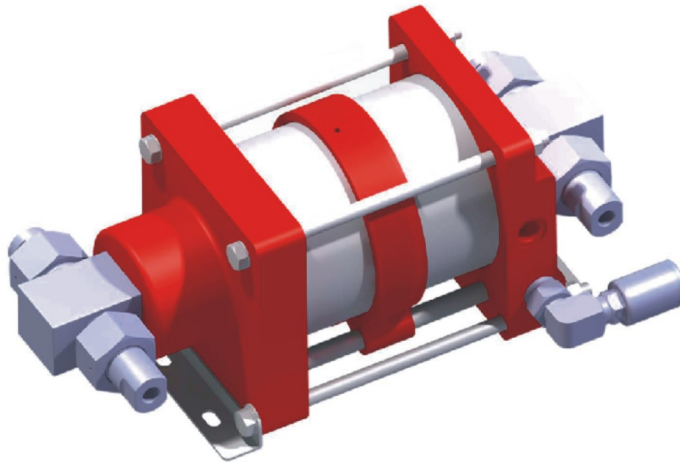


GSF-60 曲线及尺寸参数图



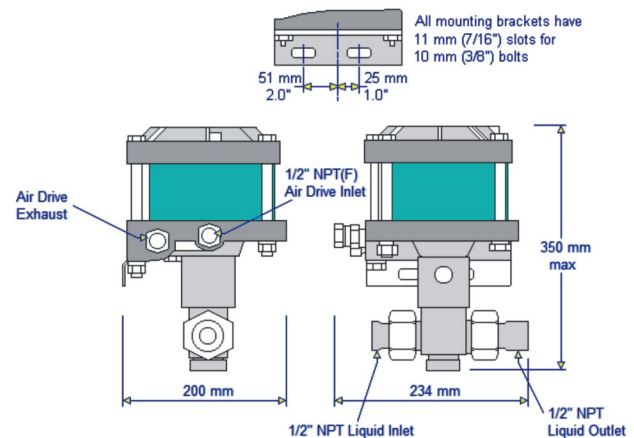
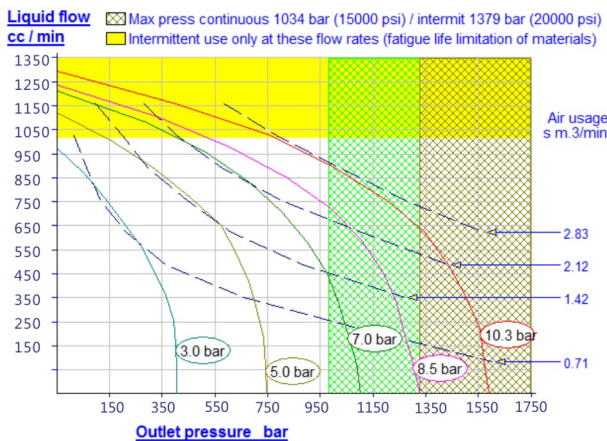
GSF-100 曲线及尺寸参数图



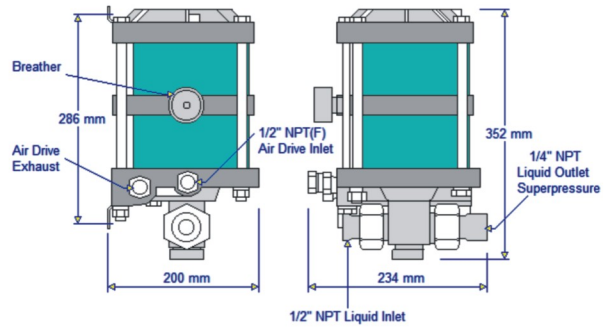
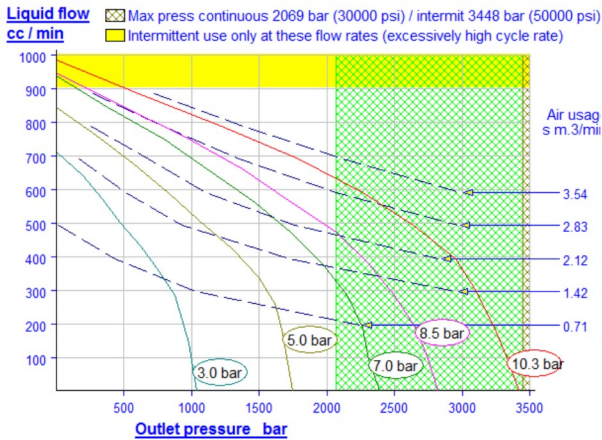


| Maximum Air Supply 125 Psi Single Air Head | | | | | | | | | | | | |
|--|-------|---------------|-------------------|-------------------------------|--------|--------------|--------|--------------------|------|------------------|-------|---------|
| HP | Model | Ratio Dash No | Actual Area Ratio | Maximum Rated Output Pressure | | | | Displacement/Cycle | | Connection Ports | | |
| | | | | Continuous | | Intermittent | | CU IN | ML | Air Drive | Inlet | Outlet |
| | | | | PSI | BAR | PSI | BAR | | | | | |
| 1.5HP | DSF | 150 | 173 | 15,000 | 1,304 | 20,000 | 1,379 | 0.27 | 4.5 | 1/2" | 1/2" | 1/2" |
| 2HP | HF | 302 | 346 | 30,000 | 2,069 | 50,000 | 3,448 | 0.27 | 4.5 | 1/2" | 1/2" | 1/4"H.P |
| | ASF | 52 | 57 | 5,000 | 345 | 8,000 | 552 | 1.62 | 26.6 | 1/2" | 1/2" | 1/2" |
| | | | 72 | 80 | 11,000 | 758 | 11,000 | 758 | 1.16 | 19 | 1/2" | 1/2" |
| 3HP | ASFD | 35 | 40 | 5,700 | 393 | 5,700 | 393 | 2.32 | 38 | 1/2" | 1/2" | 1/2" |
| | | 60 | 69 | 9,800 | 676 | 9,800 | 676 | 1.34 | 22 | 1/2" | 1/2" | 1/2" |
| | | 100 | 115 | 16,500 | 1,034 | 16,500 | 1,138 | 0.82 | 13.4 | 1/2" | 1/2" | 3/8"M.P |
| | | 150 | 173 | 20,000 | 1,034 | 20,000 | 1,379 | 0.54 | 9 | 1/2" | 1/2" | 3/8"M.P |
| | | 202 | 230 | 30,000 | 2,609 | 33,000 | 2,275 | 0.82 | 13.4 | 1/2" | 1/2" | 3/8"M.P |
| 2HP | DXHF | 602 | 690 | 30,000 | 2,609 | 75,000 | 5,171 | 0.14 | 2.3 | 1/2" | 1/2" | 1/4"H.P |

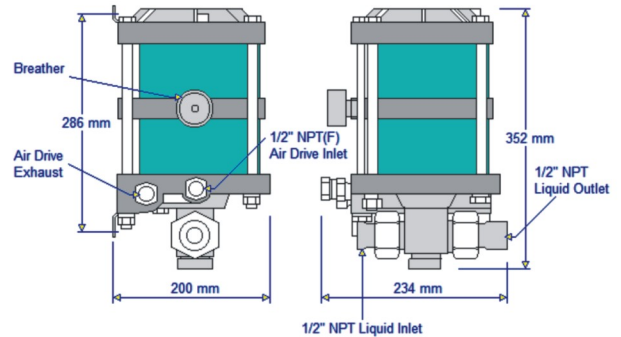
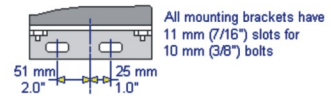
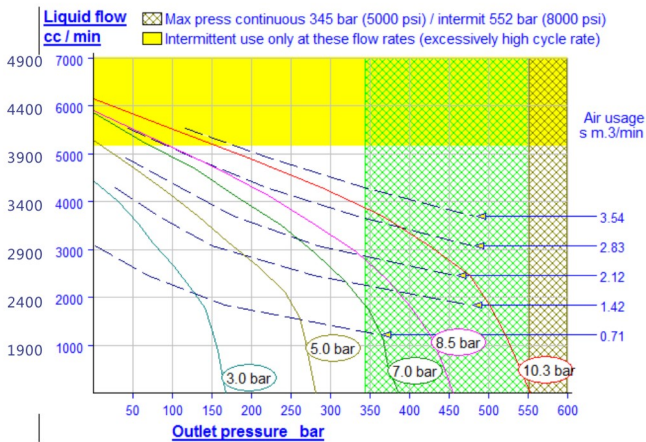
DSF-150 曲线及尺寸参数图



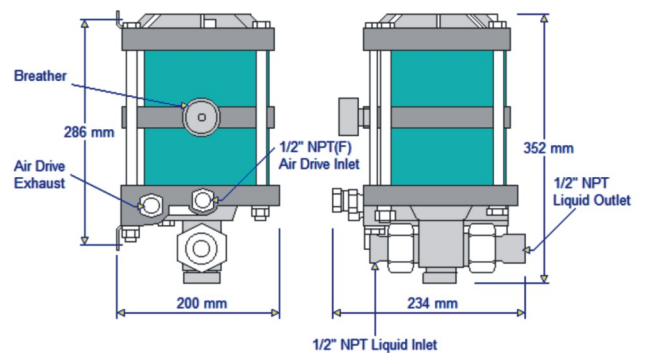
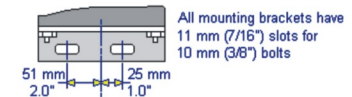
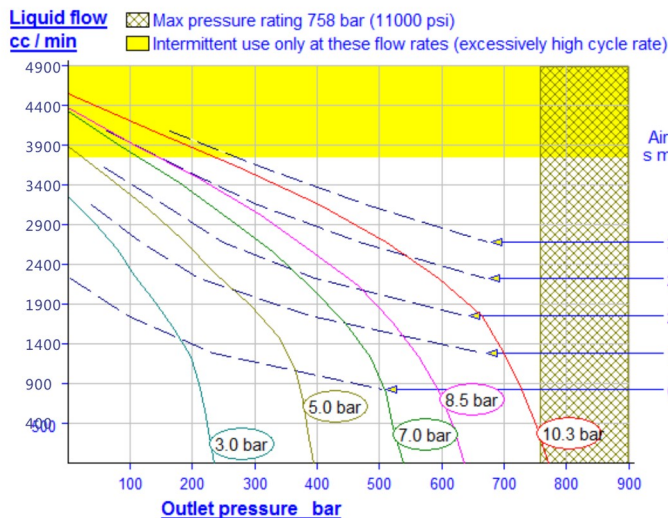
HF-302 曲线及尺寸参数图



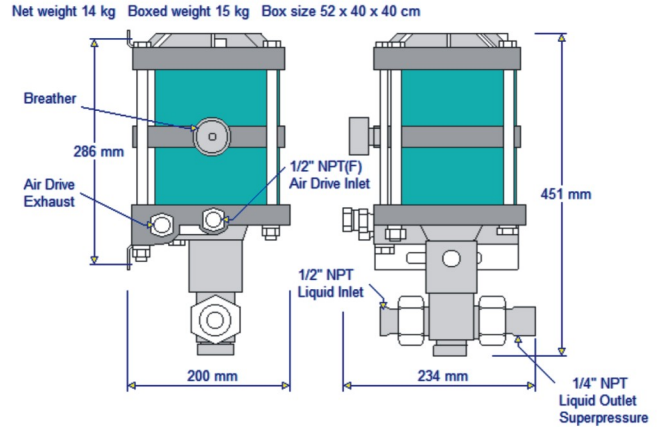
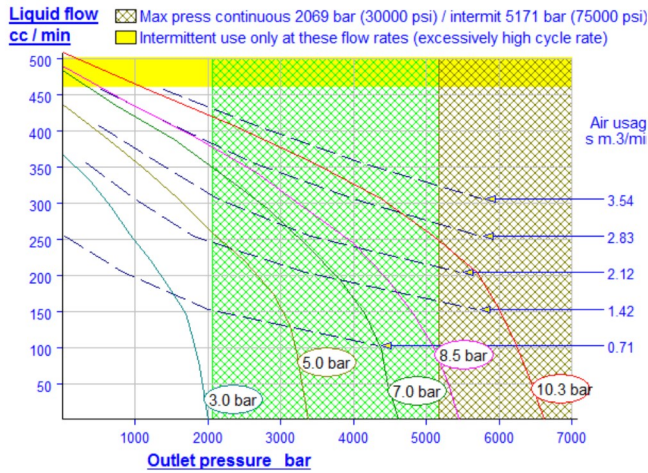
ASF-52 曲线及尺寸参数图



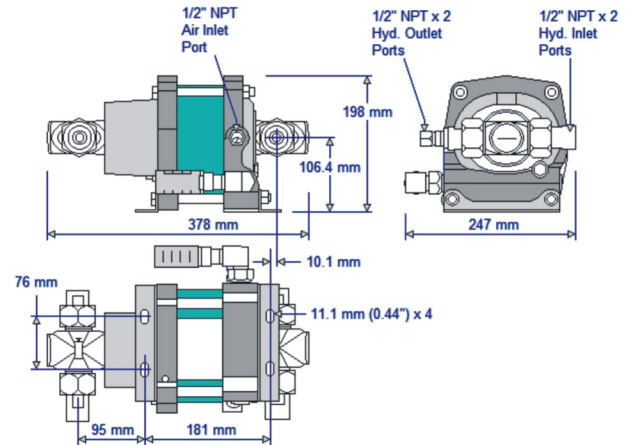
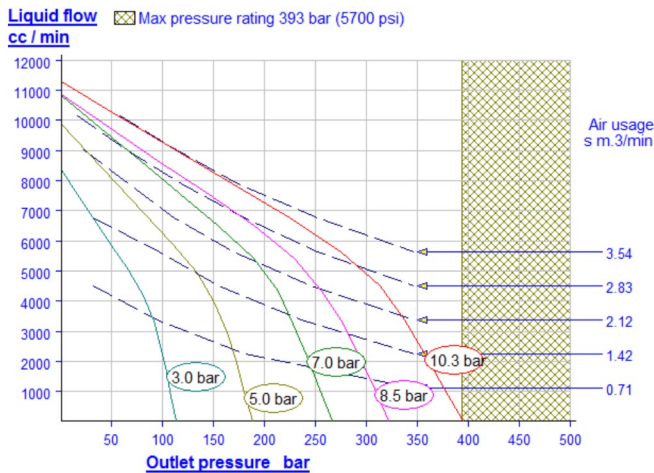
ASF-72 曲线及尺寸参数图



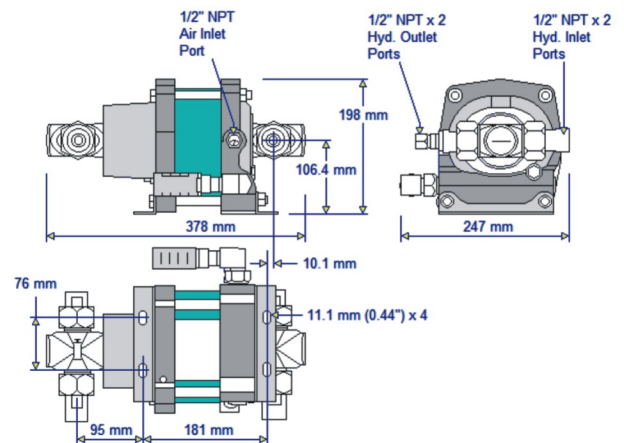
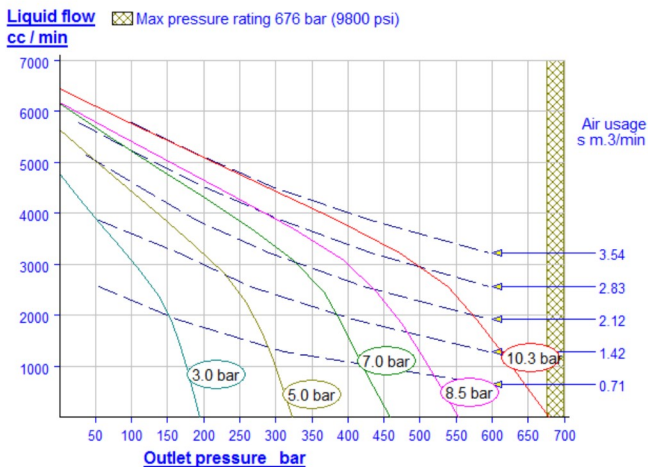
DXHF-602 曲线及尺寸参数图



ASFD-35 曲线及尺寸参数图

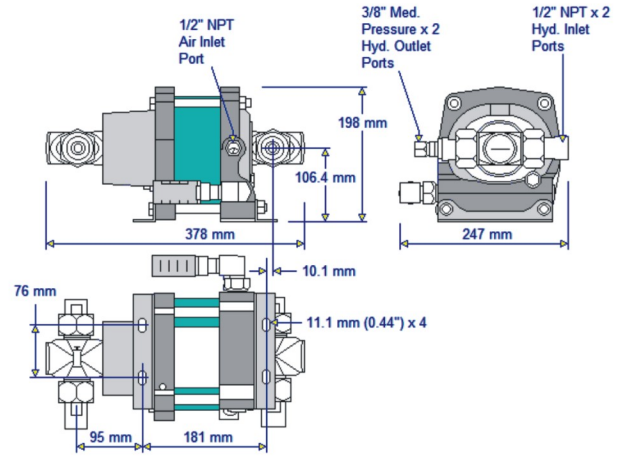
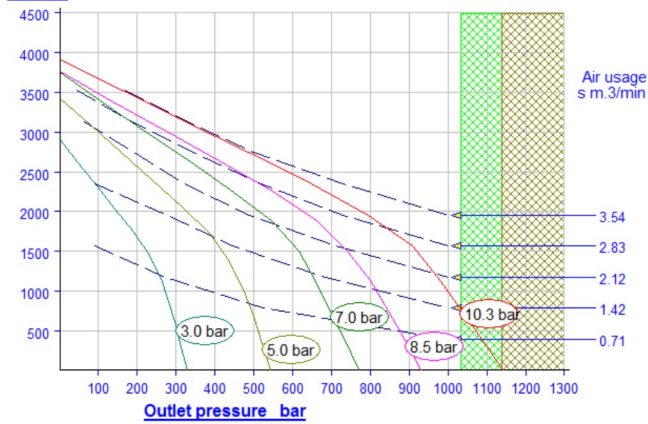


ASFD-60 曲线及尺寸参数图



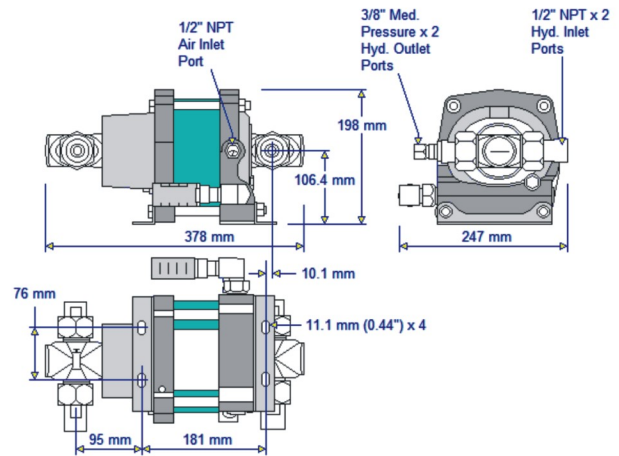
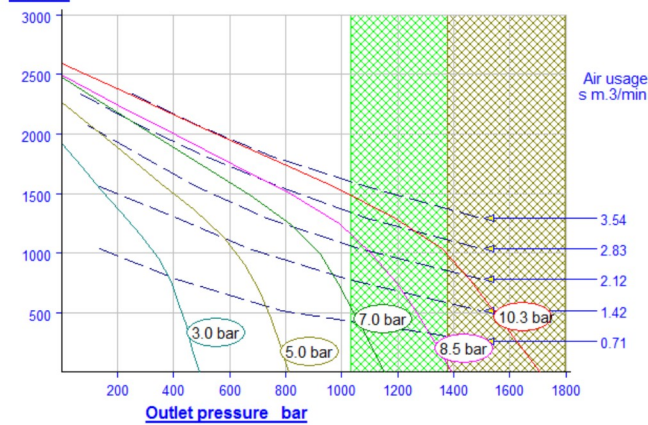
ASFD-100 曲线及尺寸参数图

Liquid flow Max press continuous 1034 bar (15000 psi) / intermit 1138 bar (16500 psi)
cc / min



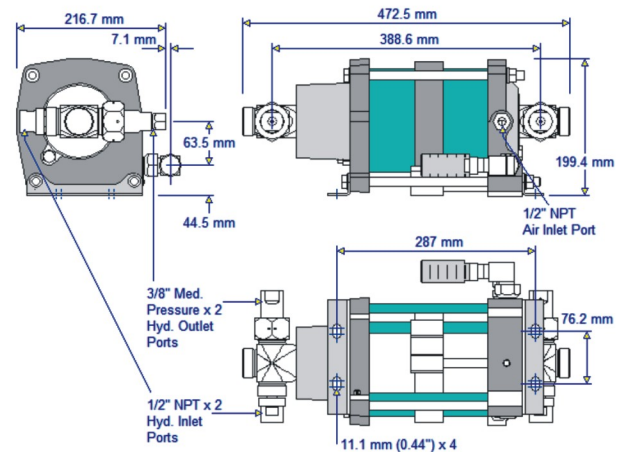
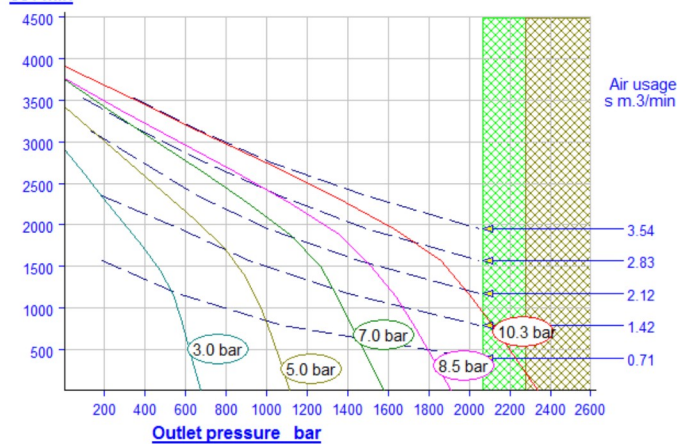
ASFD-150 曲线及尺寸参数图

Liquid flow Max press continuous 1034 bar (15000 psi) / intermit 1379 bar (20000 psi)
cc / min

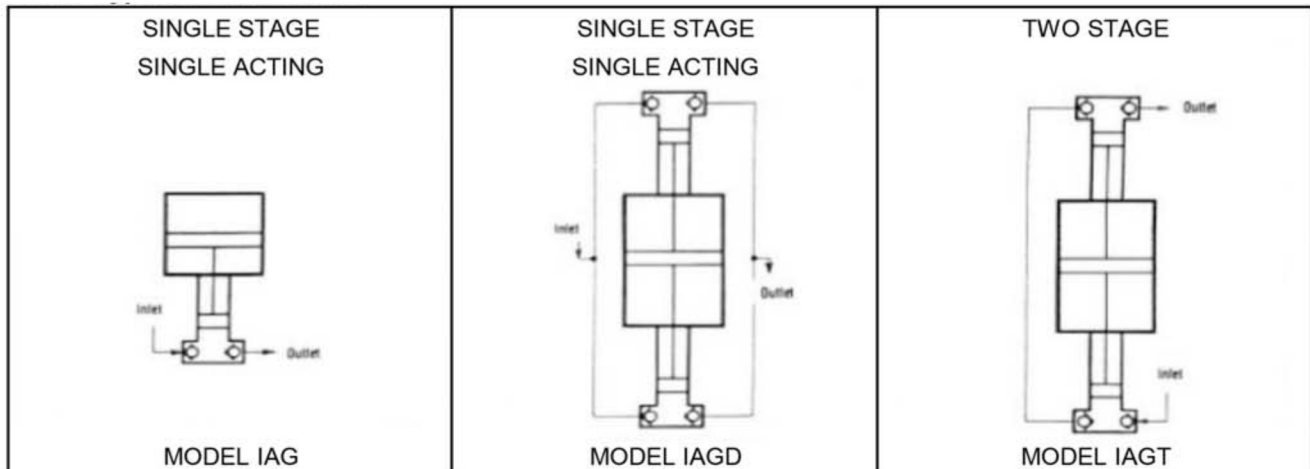
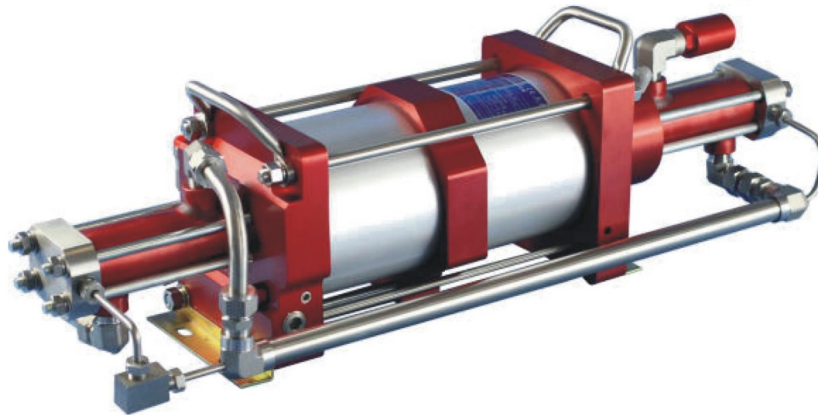
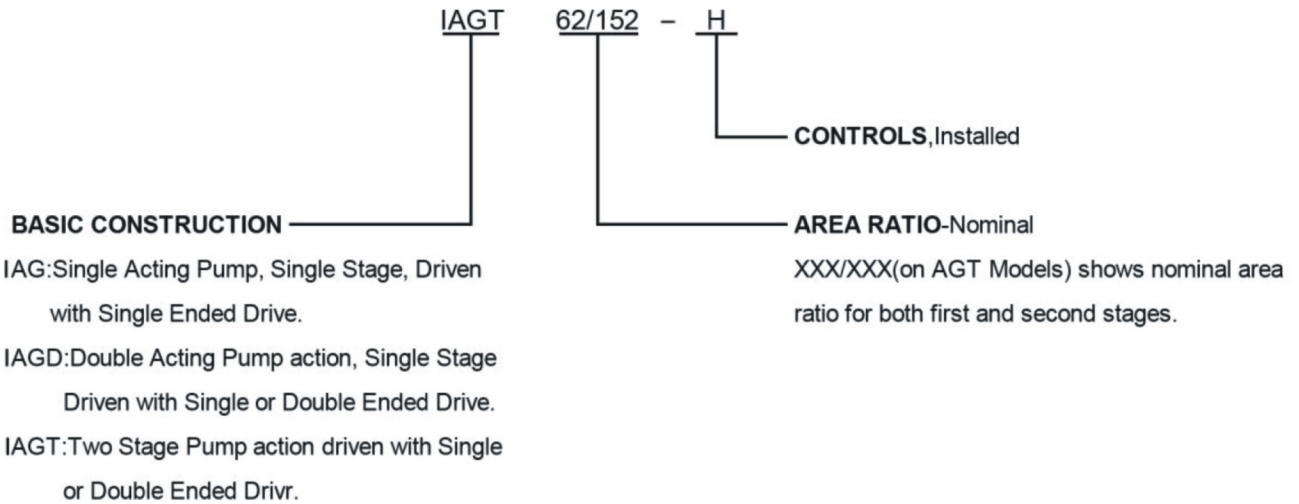


ASFD-202 曲线及尺寸参数图

Liquid flow Max press continuous 2069 bar (30000 psi) / intermit 2275 bar (33000 psi)
cc / min



MODEL LETTER/NUMBERING CODE-EXAMPLE



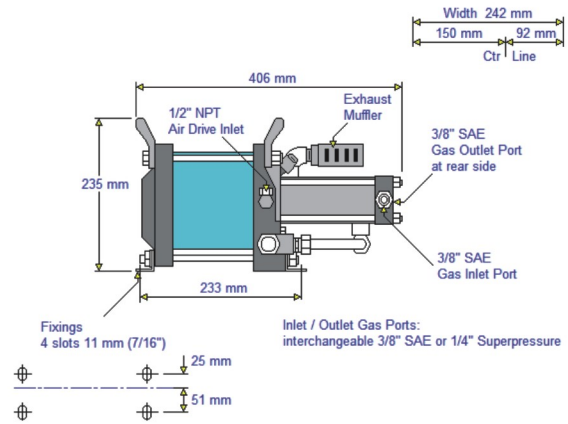
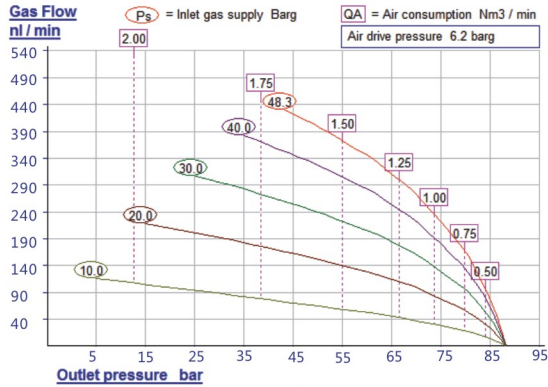
| Model No. | Maximum Ratde Gas Supply(psi) | Maximum Ratde Gas Outlet(psi) | Static Outlet (Stall) Pressure Formula | Min Inlet Pressure Max Outlet Gas Pressure Max Compression Ratio |
|--------------|-------------------------------|-------------------------------|--|--|
| IAG-15 | 2250 | 2250 | 15 Pa | 3.5 bar (50psi) 155 bar (2250 psi) 20:1 |
| IAG-30 | 4500 | 4500 | 30 Pa | 7 bar (100psi) 310 bar (4000 psi) 25:1 |
| IAG-62 | 9000 | 9000 | 60 Pa | 14 bar (200psi) 620 bar (9000 psi) 25:1 |
| IAG-75 | 11250 | 11250 | 75 Pa | 17 bar (250psi) 775 bar (11250 psi) 25:1 |
| IAG-152 | 20000 | 20000 | 150 Pa | 17 bar (250psi) 1380 bar (20000 psi) 25:1 |
| IAG-233 | 22500 | 22500 | 225 Pa | 17 bar (250psi) 1380 bar (22500 psi) 25:1 |
| IAGD-7 | 2500 | 2500 | 7 Pa+Ps | 1.7 bar (25 psi) 172 bar (2500 psi) 20:1 |
| IAGD-15 | 5000 | 5000 | 15 Pa+Ps | 3.5 bar (50 psi) 345 bar (5000 psi) 20:1 |
| IAGD-30 | 9000 | 9000 | 30 Pa+Ps | 7 bar (100 psi) 620 bar (9000 psi) 25:1 |
| IAGD-32 | 5000 | 5000 | 30 Pa+Ps | 3.5 bar (50 psi) 310 bar (4500 psi) 20:1 |
| IAGD-62 | 9000 | 9000 | 60 Pa+Ps | 14 bar (200 psi) 620 bar (9000 psi) 25:1 |
| IAGD-75 | 20000 | 20000 | 75 Pa+Ps | 17 bar (250 psi) 1380 bar (20000 psi) 25:1 |
| IAGD-152H | 25000 | 25000 | 150 Pa+Ps | 17 bar (250 psi) 1724 bar (25000 psi) 25:1 |
| IAGT-7/15 | (1) 6 pa to 2500 (3) 5000 | 5000 | 15 Pa+ 2 Ps | 1.7 bar (25 psi) 276 bar (4000 psi) 50:1 |
| IAGT-7/30 | (1) 2 pa to 2500 (3) 5001 | 9000 | 30 Pa+ 4 Ps | 1.7 bar (25 psi) 379 bar (5500 psi) 100:1 |
| IAGT-15/30 | (1) 15 pa to 2500 | 9000 | 30 Pa+ 2 Ps | 3.5 bar (50 psi) 586 bar (8500 psi) 50:1 |
| IAGT-32/62 | (1) 30 pa to 2500 | 9000 | 60 Pa+ 2 Ps | 7 bar (100 psi) 621 bar (9000 psi) 50:1 |
| IAGT-15/75 | (1) 3.5 pa to 5000 | 20000 | 75 Pa+ 5 Ps | 3.5 bar (50 psi) 897 bar (13000 psi) 100:1 |
| IAGT-30/75 | (1) 20 pa to 9000 | 20000 | 75 Pa+ 2.5 Ps | 7 bar (100 psi) 1103 bar (16000 psi) 60:1 |
| IAGT-32/152H | (1) 7 pa to 5000 | 25000 | 150 Pa+ 5 Ps | 7 bar (100 psi) 1724 bar (25000 psi) 100:1 |
| IAGT-62/152H | (1) 40 pa to 3600 (3) 9000 | 25000 | 150 Pa+ 2.5 Ps | 7 bar (100 psi) 1724 bar (25000 psi) 60:1 |

Legend:

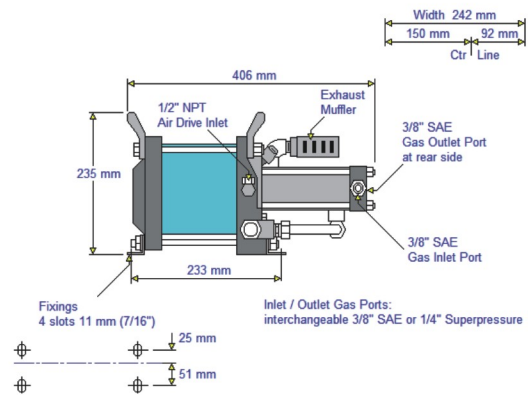
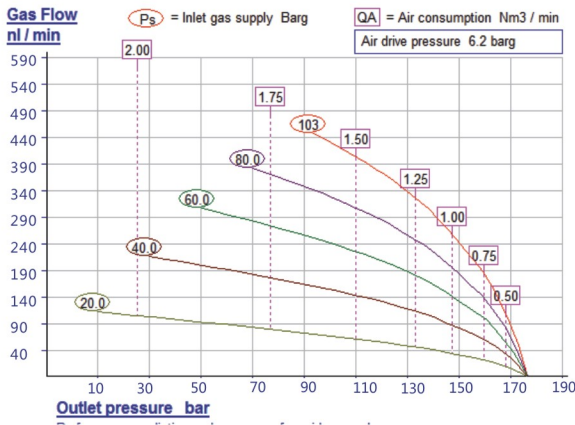
- 1.Ps:Gas Supply Pressure Pa:Drive Pressure Po:Gas Outlel Pressure.
- 2.Maximum air drive is 150 psig all models.

IAG系列曲线及尺寸参数图

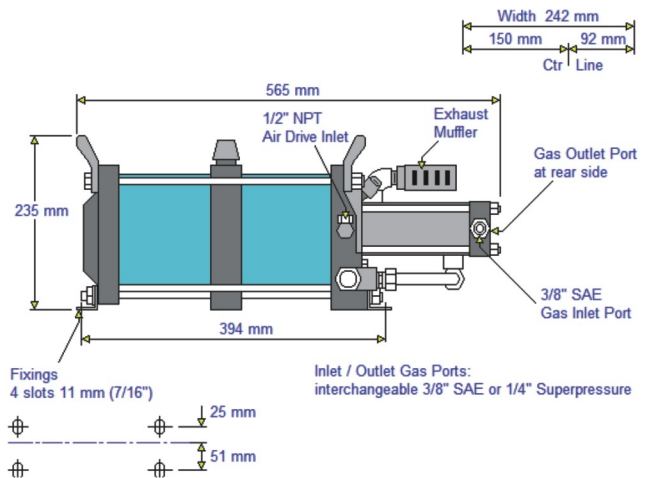
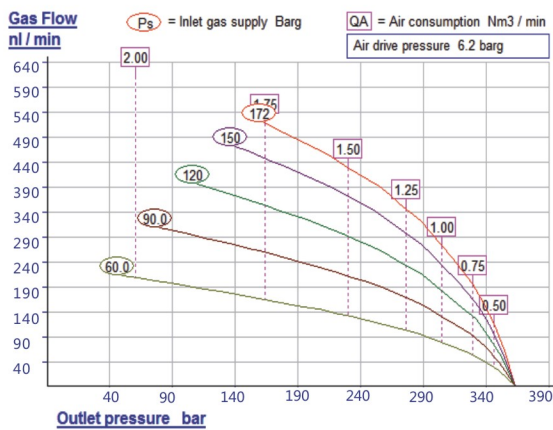
IAG-15 曲线及尺寸参数图



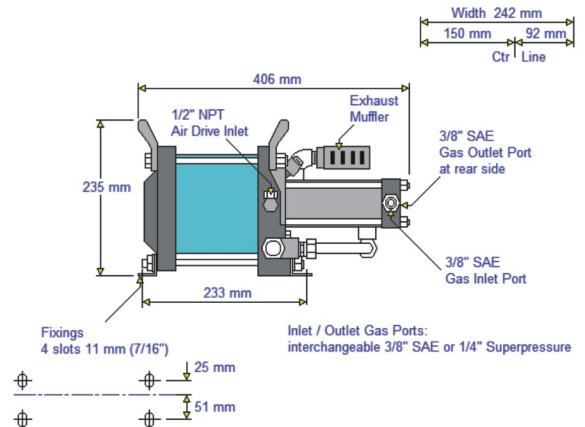
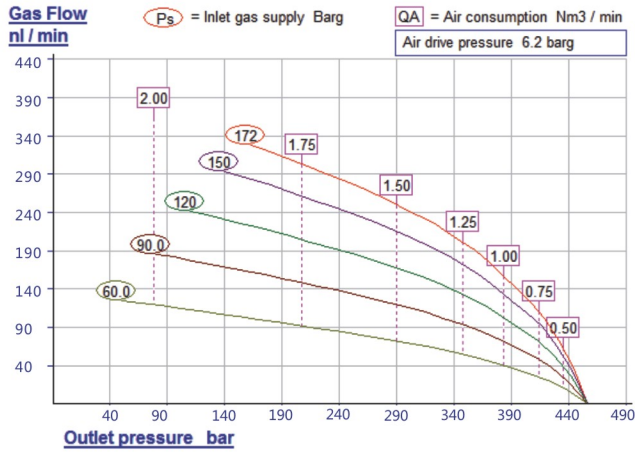
IAG-30 曲线及尺寸参数图



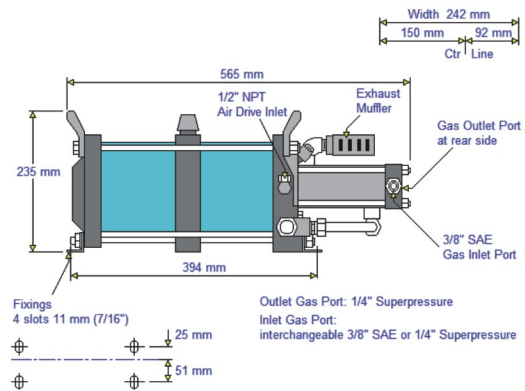
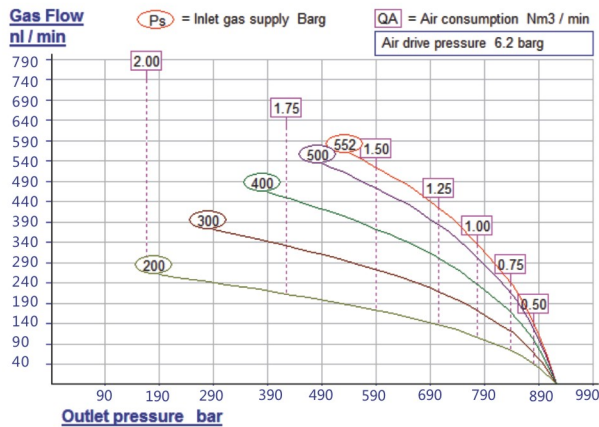
IAG-62 曲线及尺寸参数图



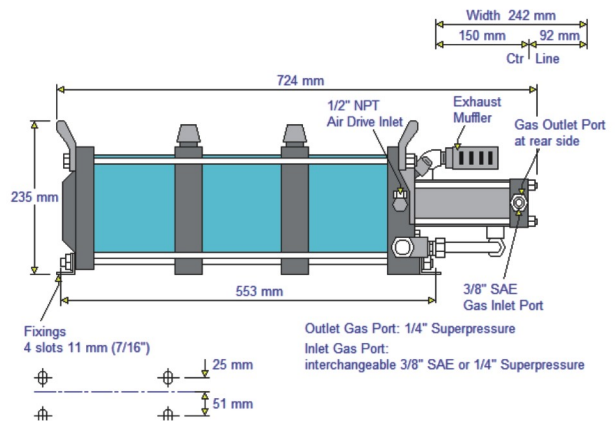
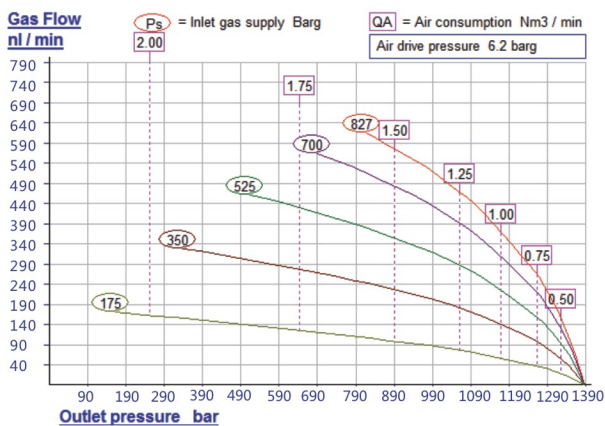
IAG-75 曲线及尺寸参数图



IAG-152 曲线及尺寸参数图

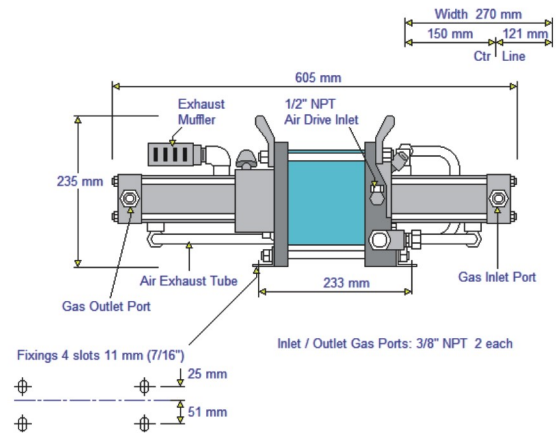
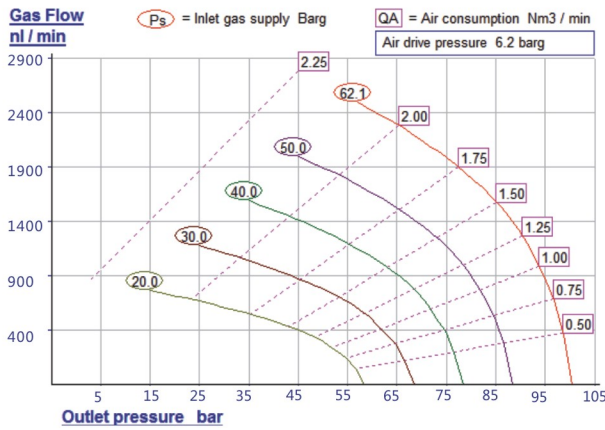


IAG-233 曲线及尺寸参数图

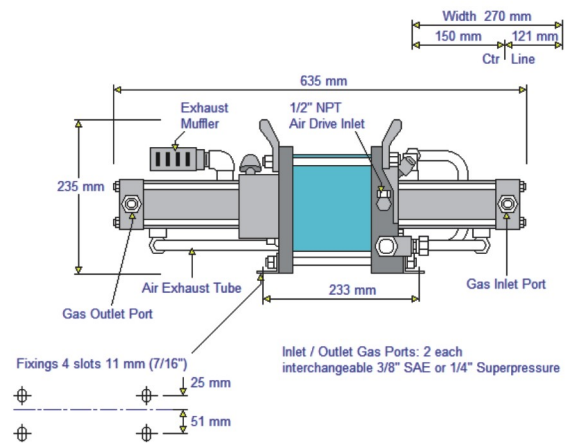
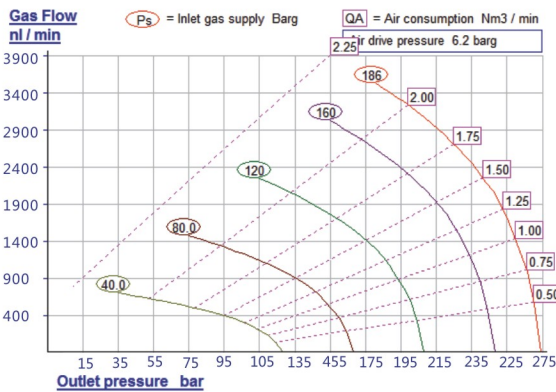


IAGD系列曲线及尺寸参数图

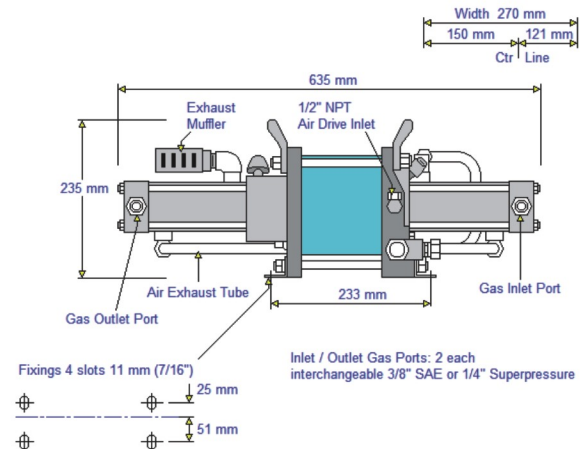
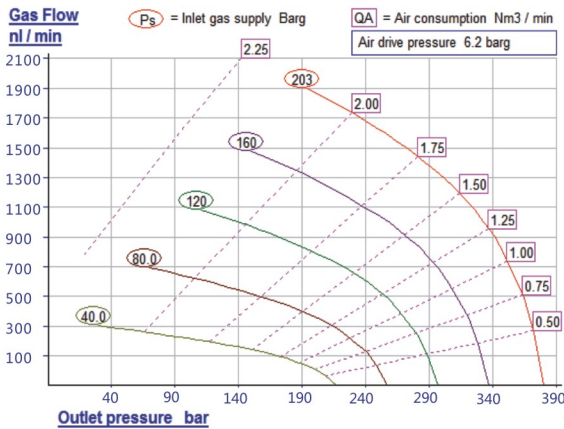
IAGD-7 曲线及尺寸参数图



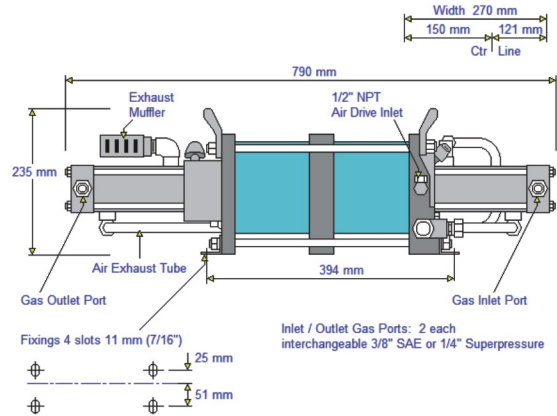
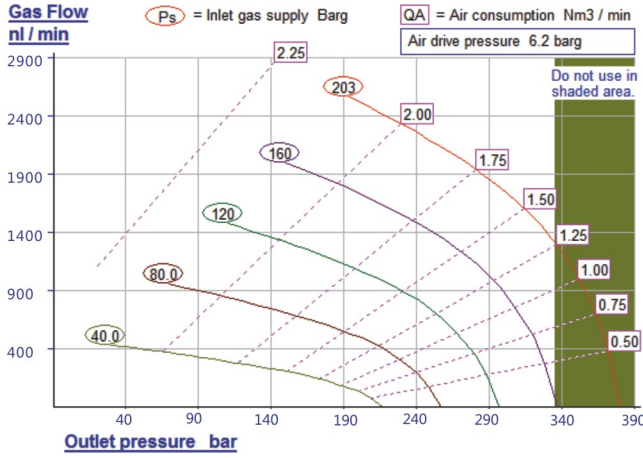
IAGD-15 曲线及尺寸参数图



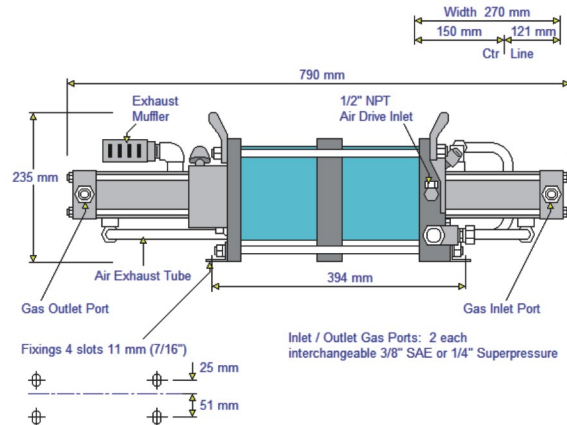
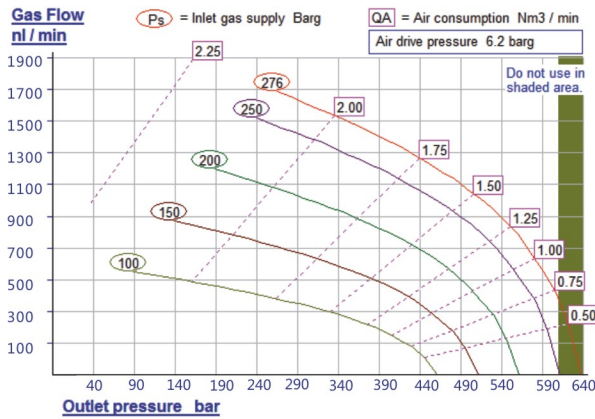
IAGD-30 曲线及尺寸参数图



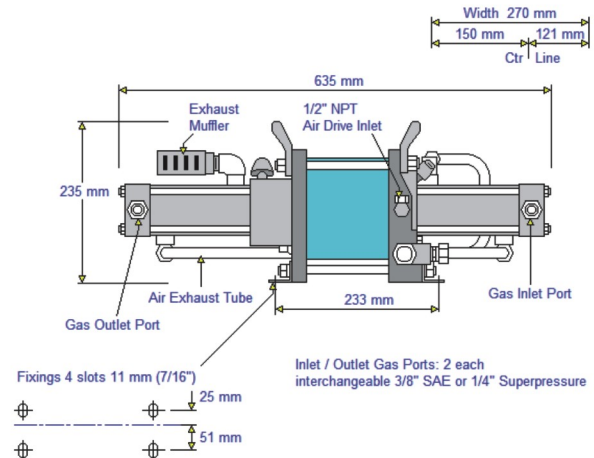
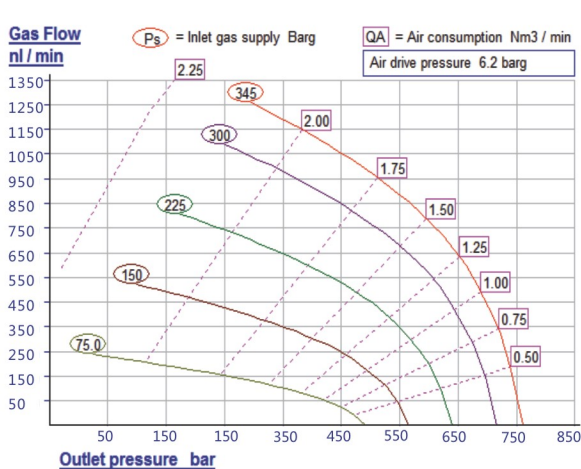
IAGD-32 曲线及尺寸参数图



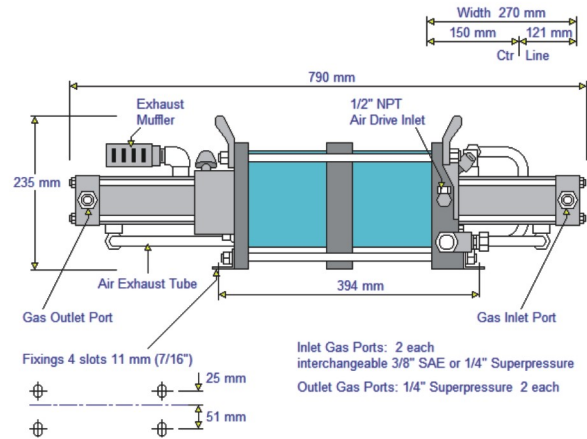
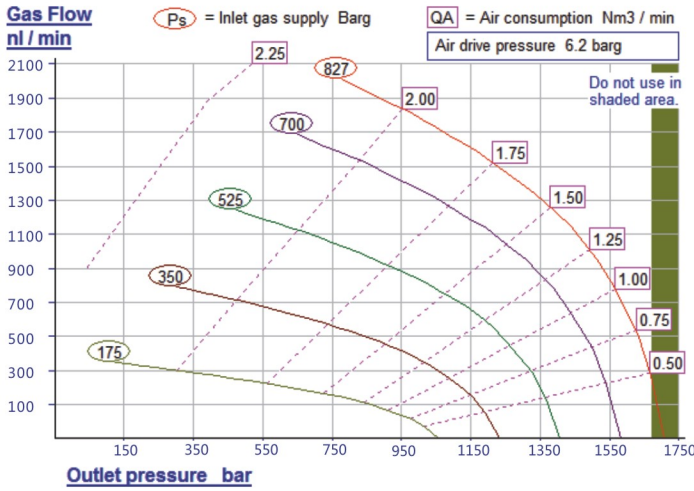
IAGD-62 曲线及尺寸参数图



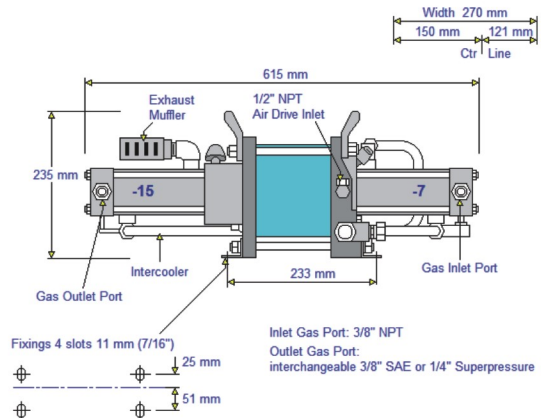
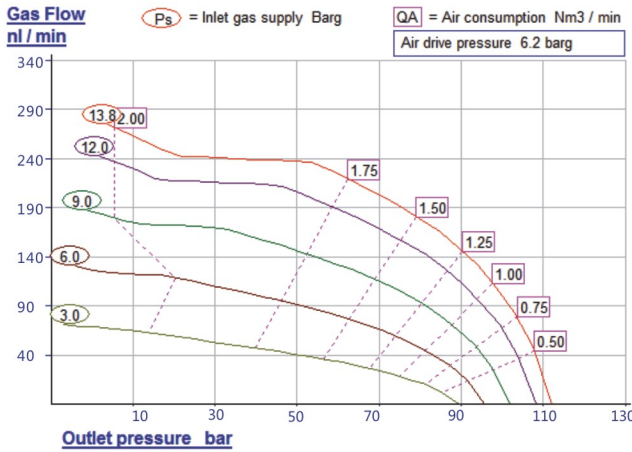
IAGD-75 曲线及尺寸参数图



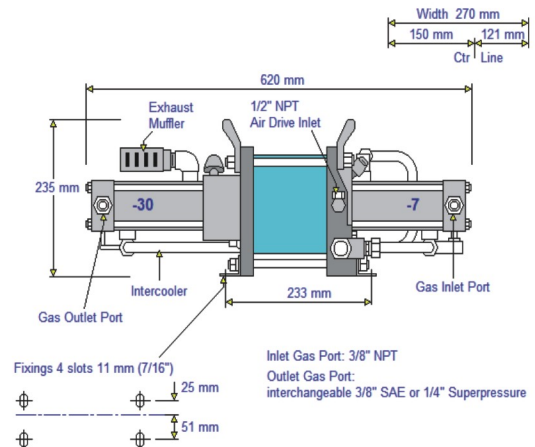
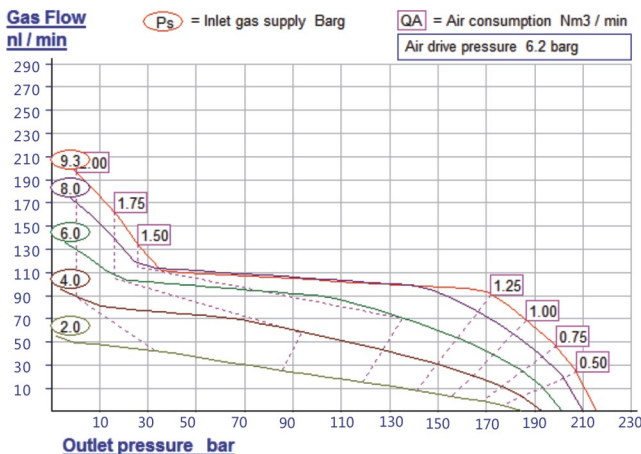
IAGD-152H 曲线及尺寸参数图



IAGD-7/15 曲线及尺寸参数图

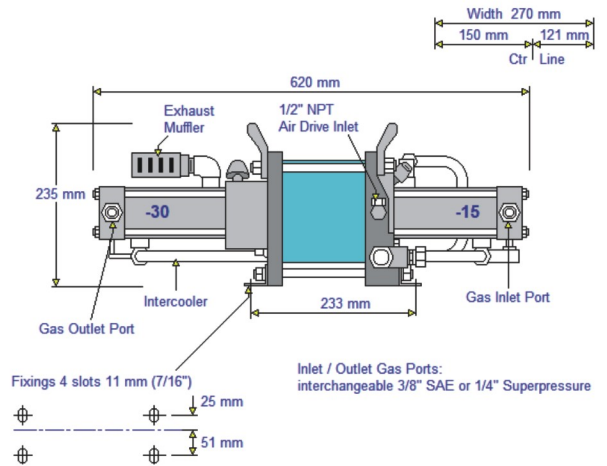
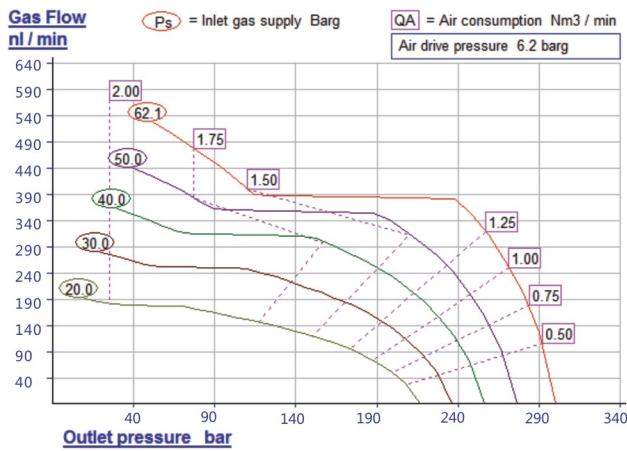


IAGD-7/30 曲线及尺寸参数图

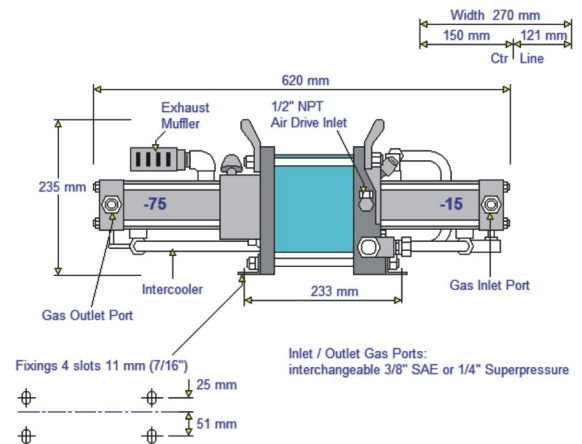
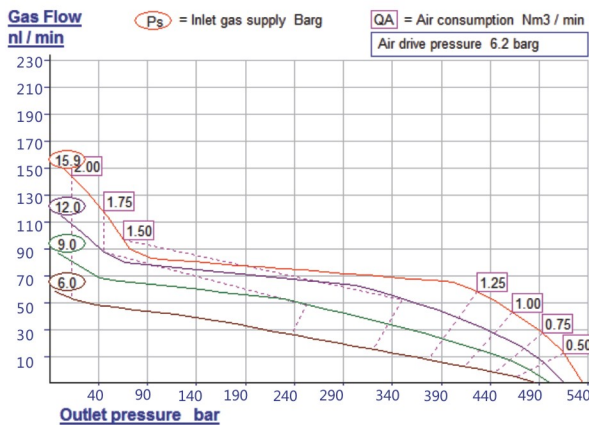


IAGT系列曲线及尺寸参数图

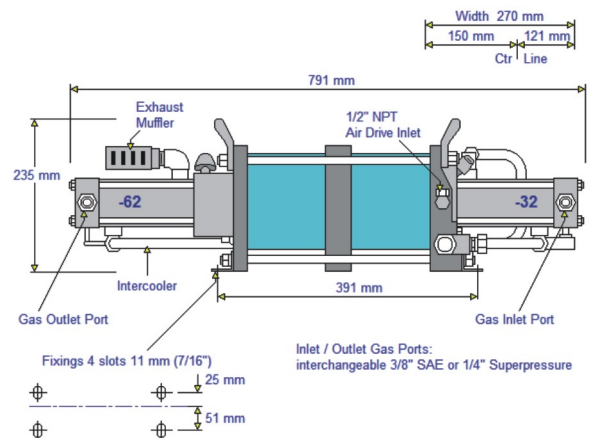
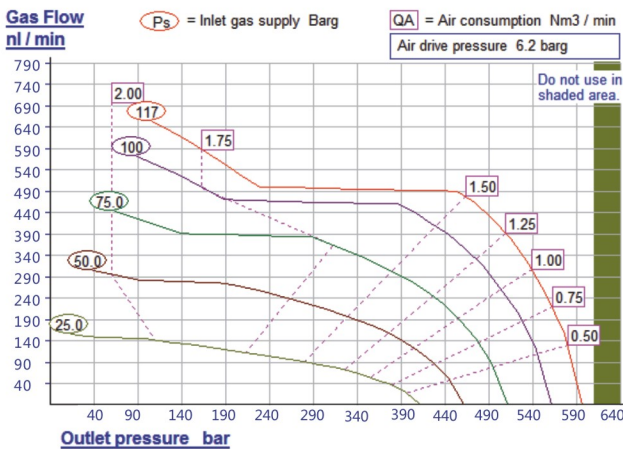
IAGT-15/30 曲线及尺寸参数图



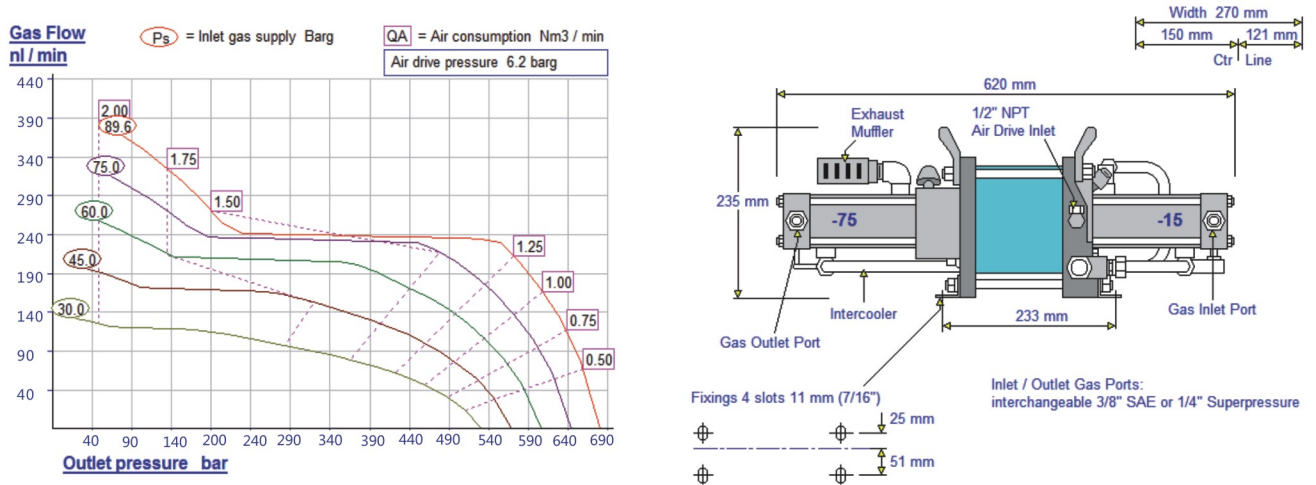
IAGT-15/75 曲线及尺寸参数图



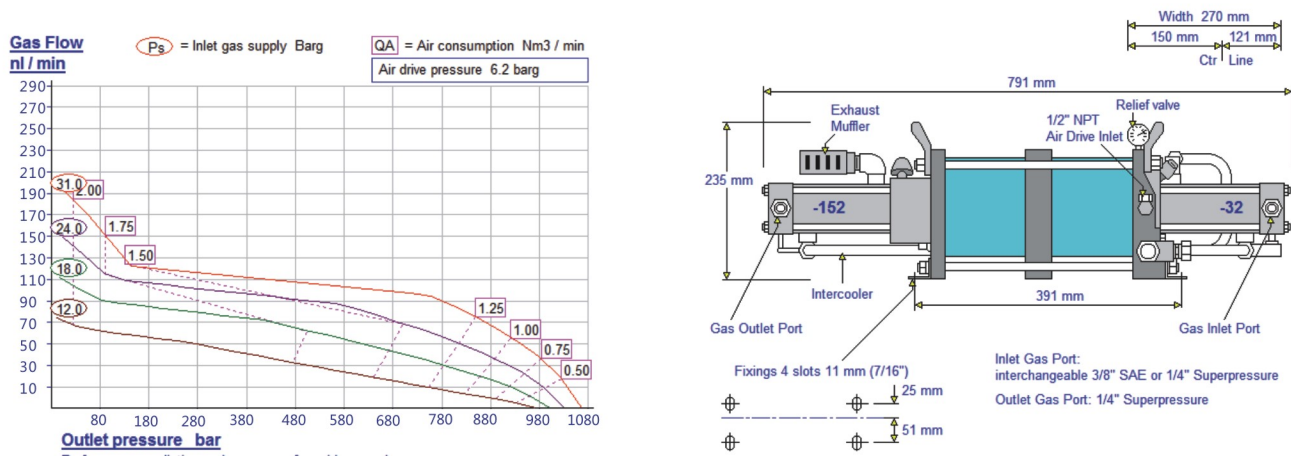
IAGT-32/62 曲线及尺寸参数图



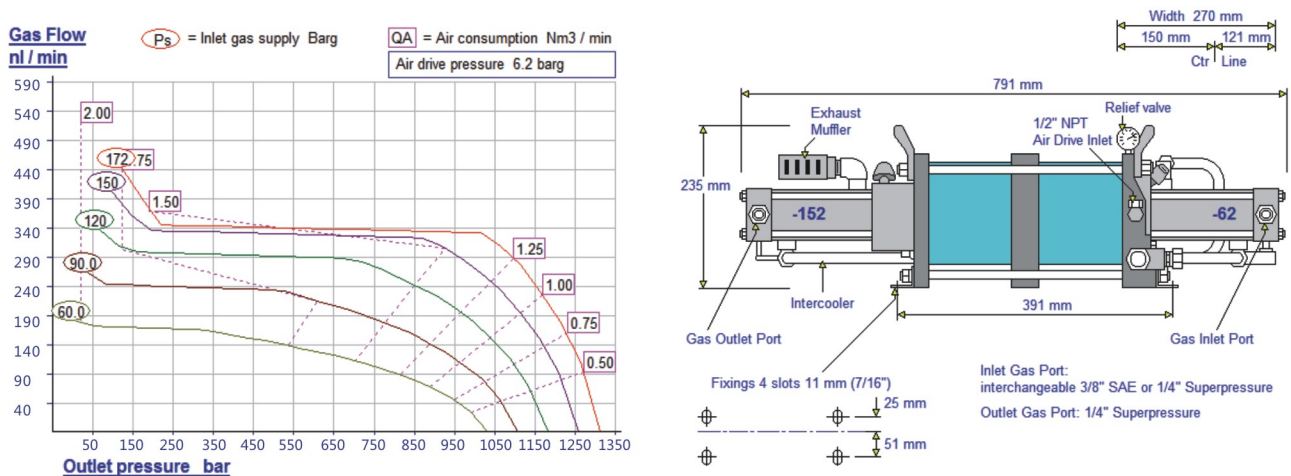
IAGT-30/75 曲线及尺寸参数图

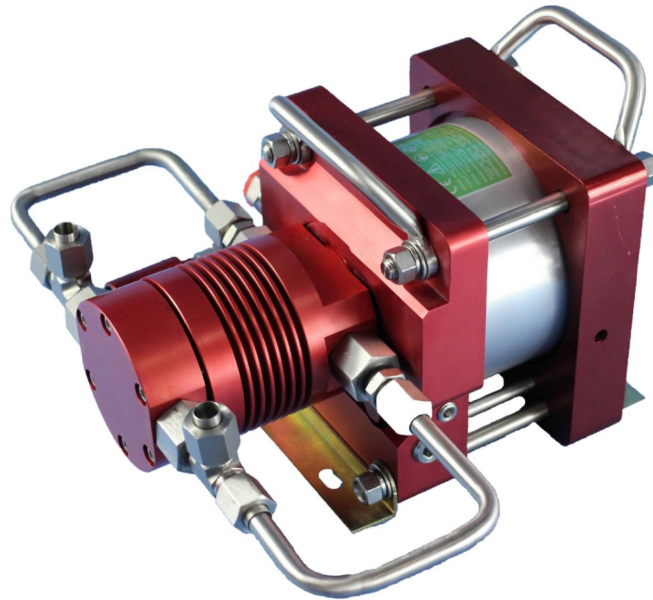


IAGT-32/152H 曲线及尺寸参数图



IAGT-62/152H 曲线及尺寸参数图



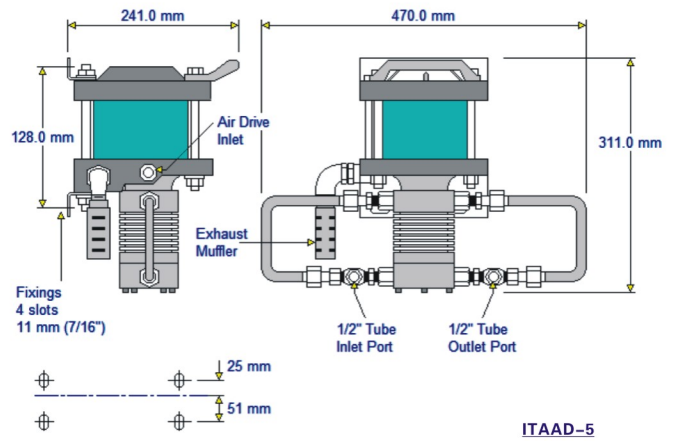
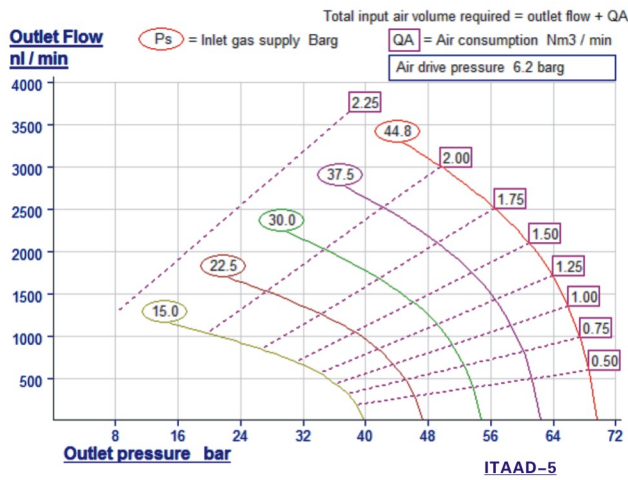
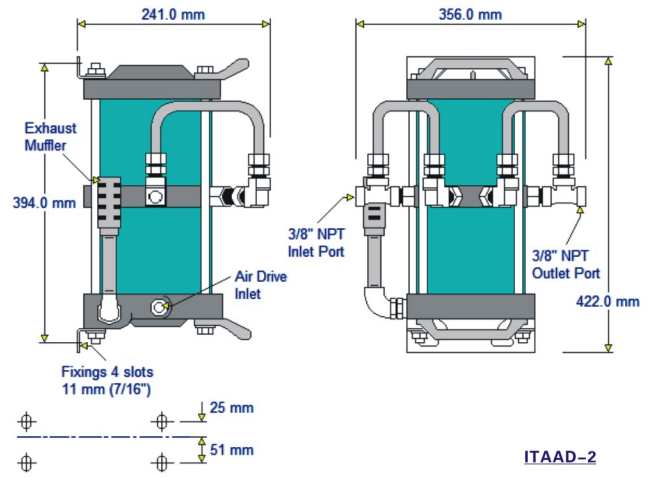
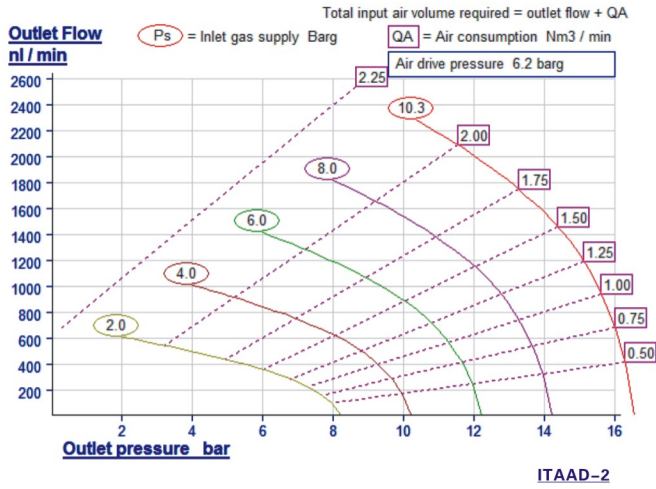


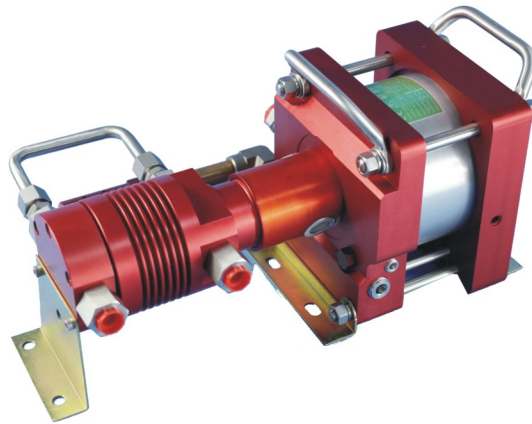
型号表

| Max air drice(psi) | Model | Max inlet (psi) | Max outlet (psi) | Ratio | Displ/cycle (ml) |
|-----------------------|--------|--------------------|---------------------|-------|---------------------|
| 150 | IAAD-2 | 300 | 300 | 2:01 | 3294 |
| | IAAD-5 | 1.250 | 1.250 | 5:1 | 316.0 |

尺寸参数

| Model | In-port | Out-port | A Dim | B Dim | C Dim |
|--------|----------|----------|------------------|------------------|------------------|
| IAAD-2 | 3/8" NPT | 3/8" NPT | 16-5/8" 422mm | 14" 356mm | 15-1/2" 394mm |
| IAAD-5 | 1/2"Tube | 1/2"Tube | 12-3/4" 324mm | 16-1/4" 418mm | 7-5/8" 193mm |



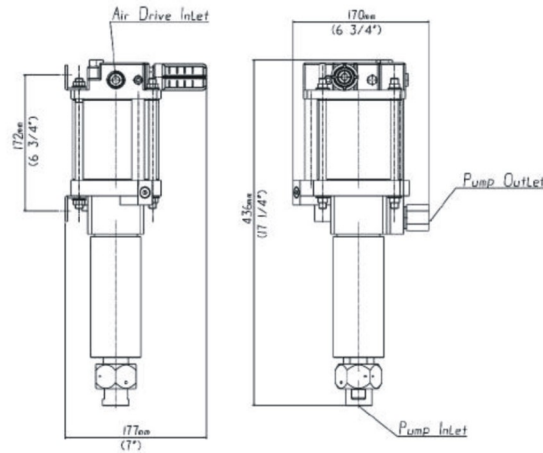


型号表

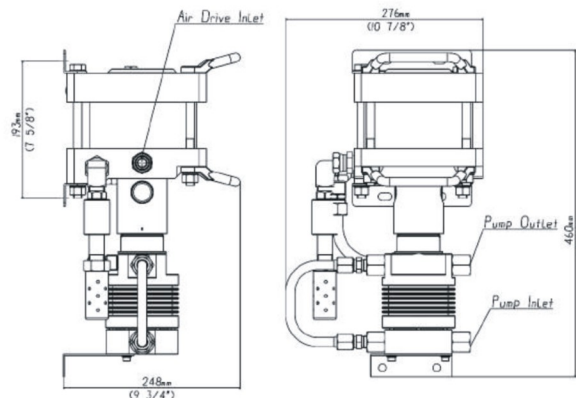
| Max air drice(psi) | Model | Max inlet (psi) | Max outlet (psi) | Ratio | Displ/cycle (ml) |
|--------------------|-------|-----------------|------------------|-------|------------------|
| 150 | 200 | 1.250 | 1.250 | 5:1 | 316.0 |
| | 100 | 1.250 | 1.250 | 5:1 | 316.0 |

尺寸参数

| Model | In-port | Out-port | A Dim | B Dim | C Dim |
|----------|----------|----------|------------------|------------------|-----------------|
| 59025200 | 1/2"Tube | 1/2"Tube | 18-1/8" 460mm | 10-7/8" 276mm | 7-5/8" 193mm |
| 59015100 | 1/2"Tube | 1/2"Tube | 17-1/4" 436mm | 7" 177mm | 6-3/4" 172mm |



59015100



59205200